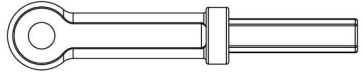


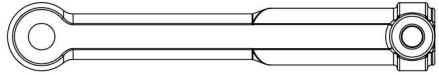
STEERING SERVO

轉向伺服機



Servo Adjuster A ×1
伺服機可調拉桿頭 A

Bag 2



Servo Adjuster B ×1
伺服機可調拉桿頭 B

Bag 2



M3×8 screw ×12
圓頭螺絲



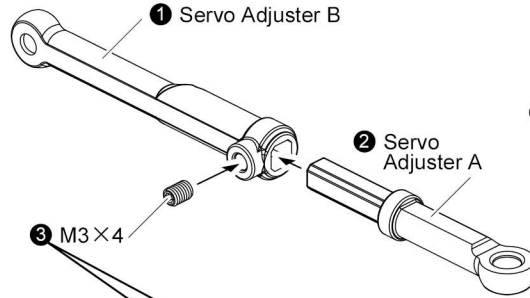
3×6×0.5 Spacer ×4
墊片



M3×4 screw ×1
圓頭螺絲

STEP 1 Servo saver turnbuckle assembly

伺服拉桿組裝



※ Do not tighten the M3×4 set screw during initial assembly. After completing full vehicle assembly, follow these steps:

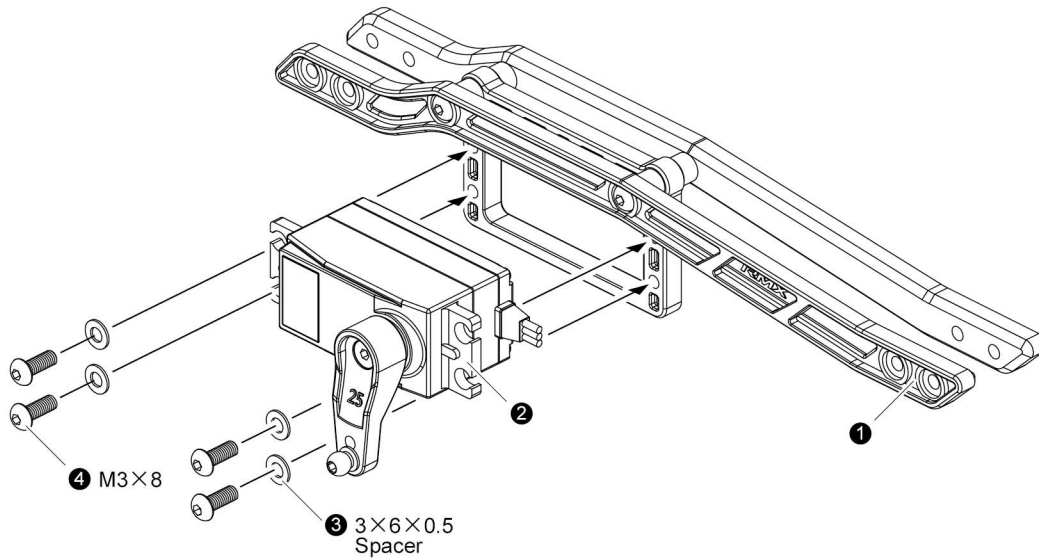
1. Power on the system and ensure the servo is at its neutral position.
2. Keep the front wheels in the straight position.
3. Adjust the turnbuckle to the correct length while everything is centered.
4. Once confirmed, tighten the M3×4 set screw. (Refer to P26)

先不鎖緊M3×4止付螺絲，待全車組裝完成後再完成以下步驟：

1. 通電後伺服機保持中立點
2. 前輪轉向保持中立點
3. 此時可調拉桿為正確長度
4. 鎖緊M3×4止付螺絲（請參閱P26）

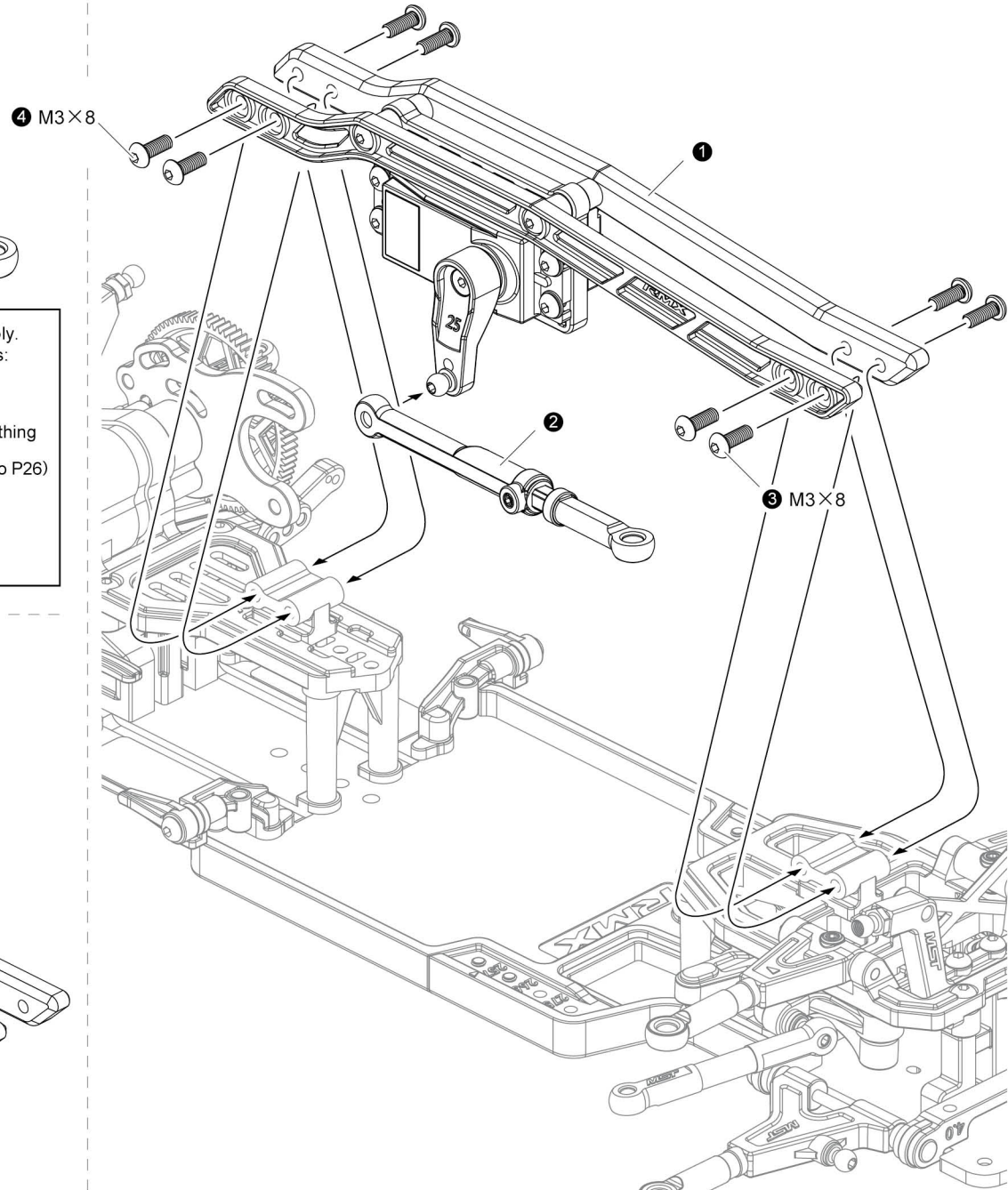
STEP 2 Attaching steering servo

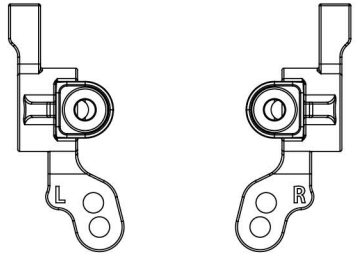
安裝轉向伺服機



STEP 3 Attaching upper deck

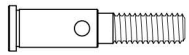
安裝二樓板





Front upright L ×1
前輪座 L

Front upright R ×1
前輪座 R



2WD Axle ×2
二驅輪軸



4.8×4.5 Ball connector ×4
球頭螺絲



4.8×6L Ball connector ×2
外六角球頭



2×9.8 Shaft ×2
插銷



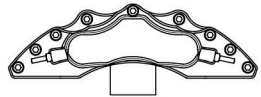
M2×4 screw ×2
圓頭螺絲



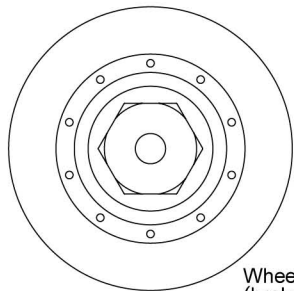
5×7×0.3 Spacer ×2
墊片



5×8 Ball bearing ×4
培林

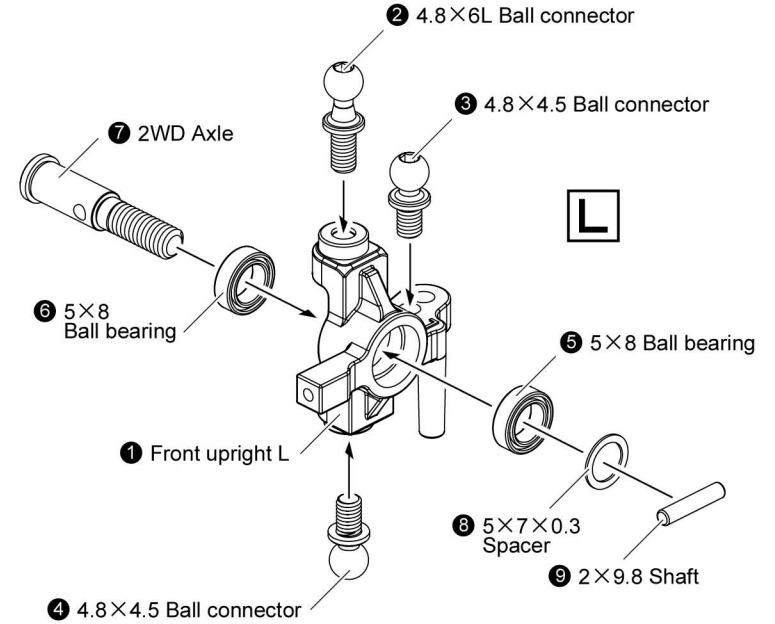
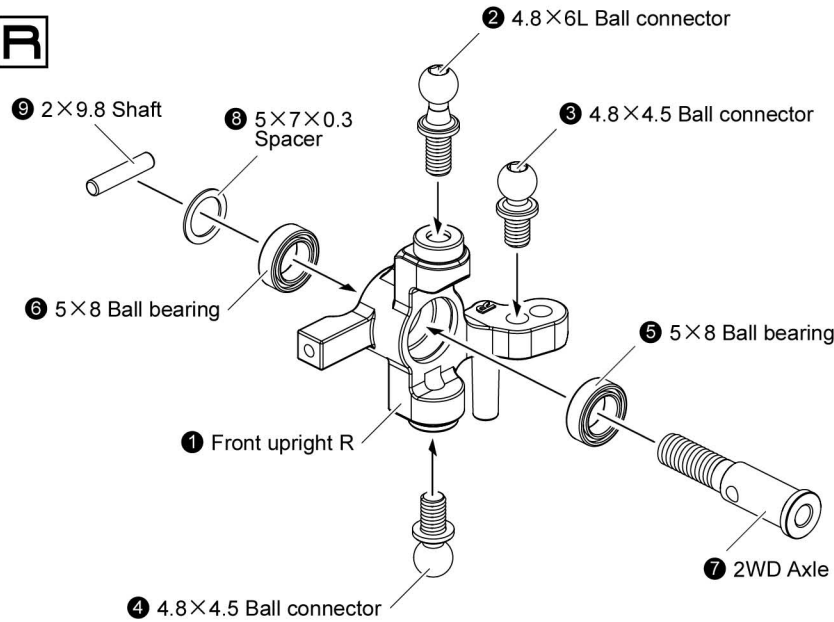


Brake calipers ×2
剎車卡鉗

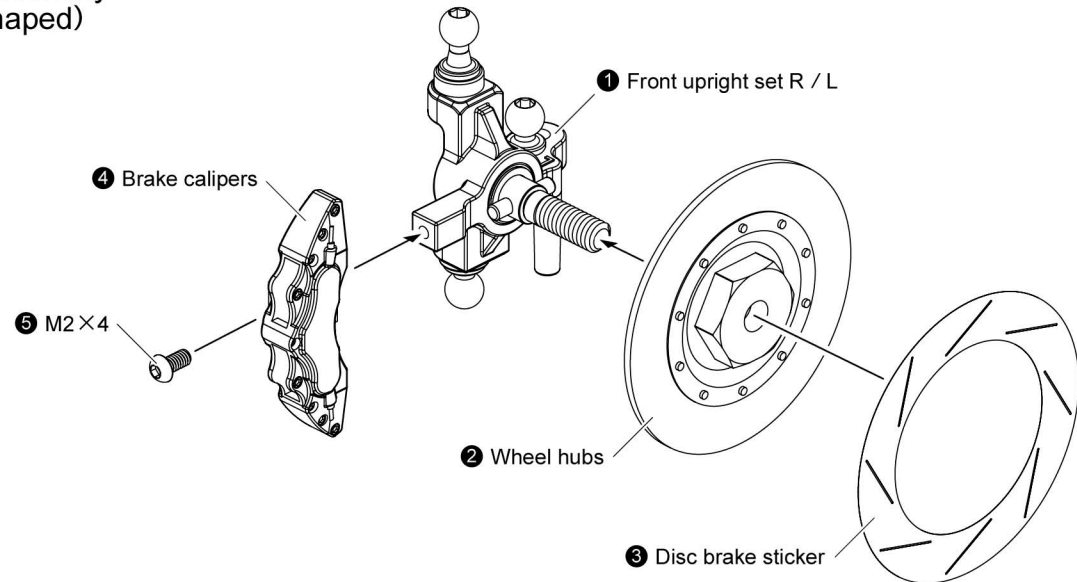


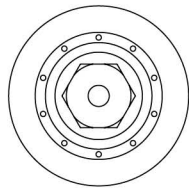
Wheel hubs (large)
(brake disc shaped) ×2
六角輪座(大)(剎車碟型)

STEP 1 Front axle assembly
前輪座組裝

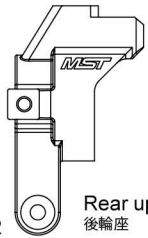


STEP 2 Wheel hubs assembly
(Brake disc shaped)
煞車碟盤型輪座組裝





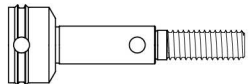
Wheel hubs (small)
(brake disc shaped) ×2
六角輪座(小)(剎車碟型)



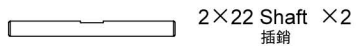
Rear upright X2
後輪座



Steel CVD universal shaft 42 ×2
鋼製CVD傳動軸 42



Wheel axle ×2
萬向接杆



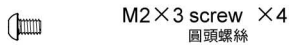
2×22 Shaft ×2
插銷



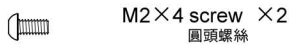
4.8×4.5 Ball connector ×2
球頭螺絲



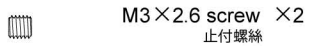
Brake calipers ×2
剎車卡鉗



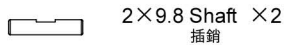
M2×3 screw ×4
圓頭螺絲



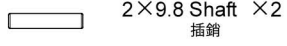
M2×4 screw ×2
圓頭螺絲



M3×2.6 screw ×2
止付螺絲



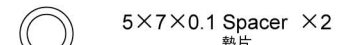
2×9.8 Shaft ×2
插銷



2×9.8 Shaft ×2
插銷



Cross joint ×2
連接軸



5×7×0.1 Spacer ×2
墊片

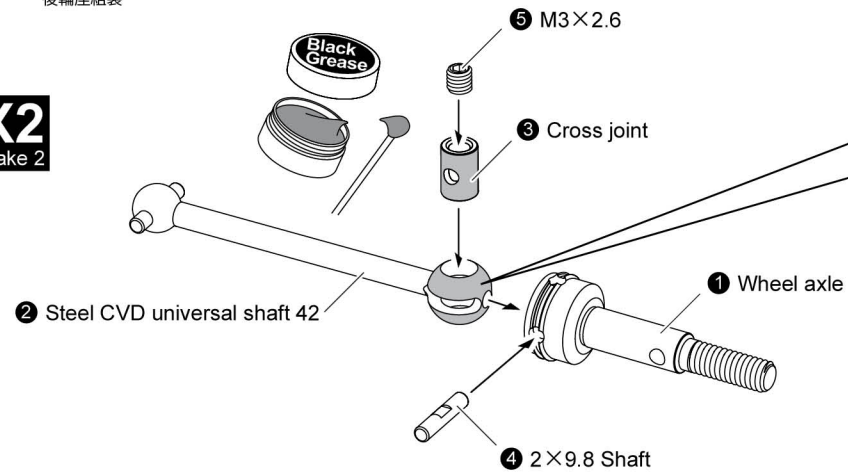


5×10 Ball bearing ×4
培林

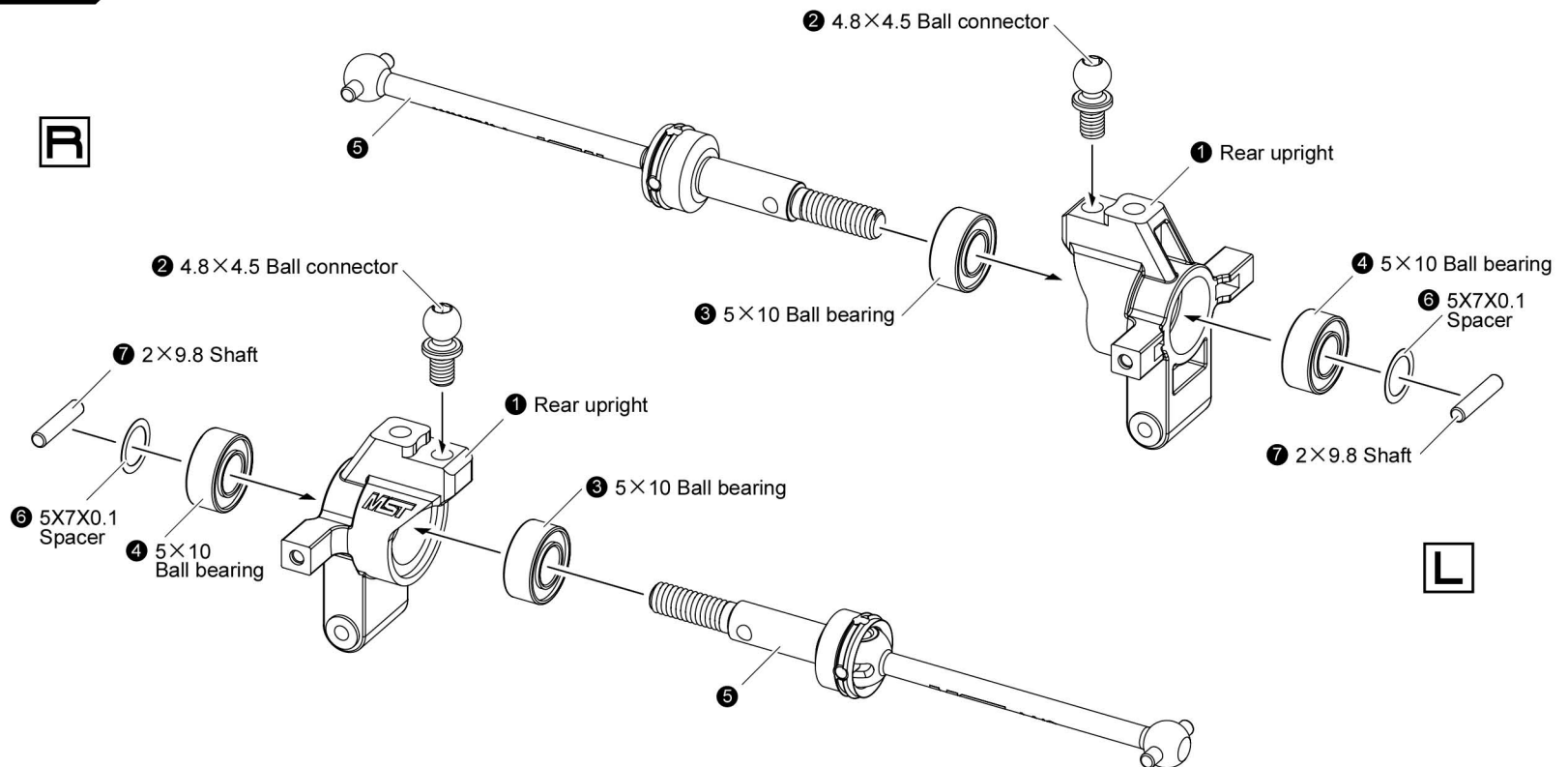
STEP 1 Rear axle assembly

後輪座組裝

X2
Make 2

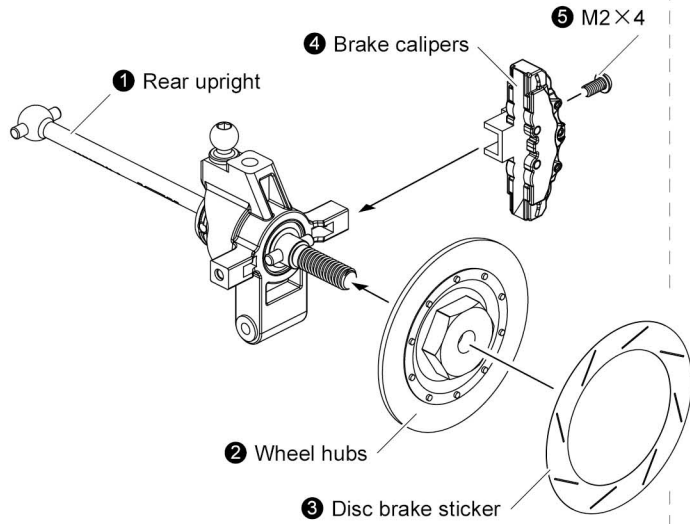


STEP 2

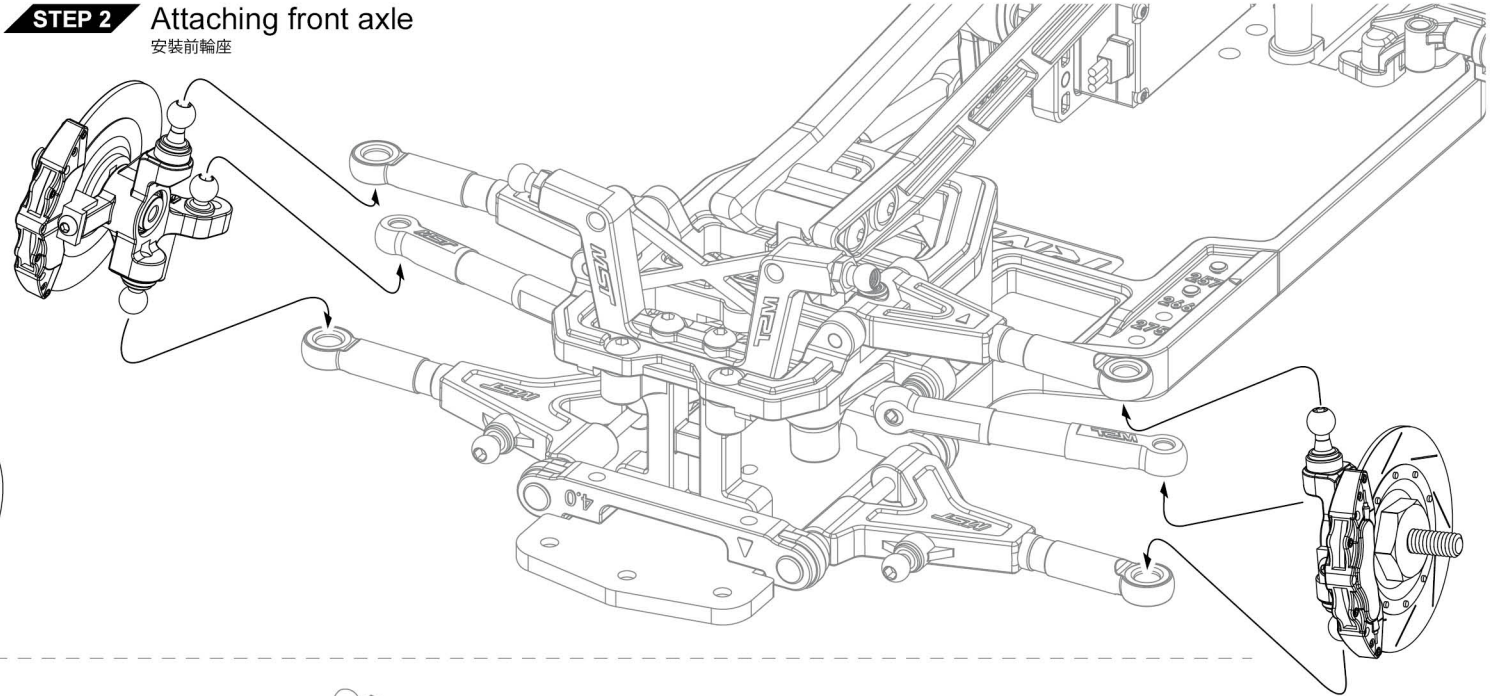


STEP 1 Wheel hubs assembly
(Brake disc shaped)

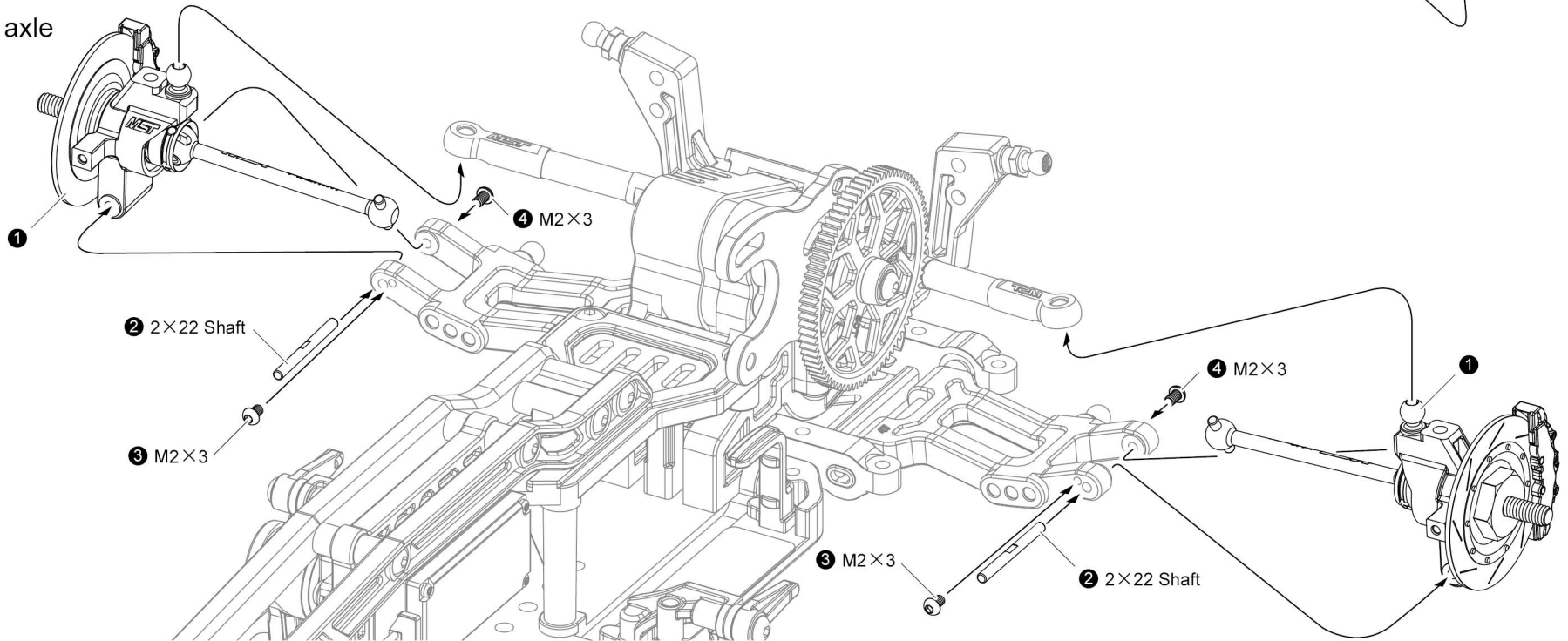
煞車碟盤型輪座組裝

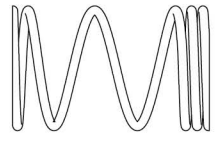


STEP 2 Attaching front axle
安裝前輪座

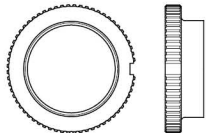


STEP 3 Attaching rear axle
安裝後輪座

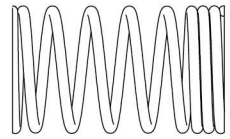




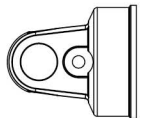
DK-RWD Competition Drift Spring (24mm) × 2 (yellow)
DK-RWD競賽飄移車避震彈簧(24mm)(黃)



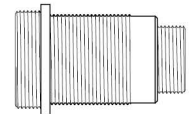
Spring retainer × 4
避震器調整環



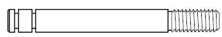
DK-RWD Competition Drift Spring (26mm) × 2 (silver-yellow)
DK-RWD競賽飄移車避震彈簧(26mm)(銀黃)



Cylinder cap × 4
避震器上蓋



Damper cylinder × 4
避震筒身



Piston rod × 4
避震軸心



Piston × 4
避震活塞



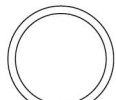
Rod guide cap × 4
避震器下蓋



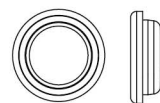
Damper adjuster × 4
避震器拉桿



Damper retainer × 4
避震器彈簧座



12×1 O-ring × 4
O環



Oil seal × 4
避震器氣室



Damper O-ring P3 × 4
避震器O環



Rod guide × 4
避震器下蓋墊片

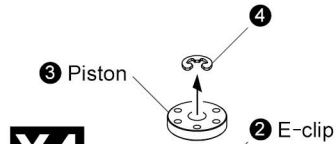


E-clip × 10
E形扣

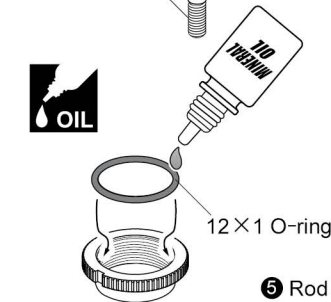


M3×4 screw × 4
沉頭螺絲

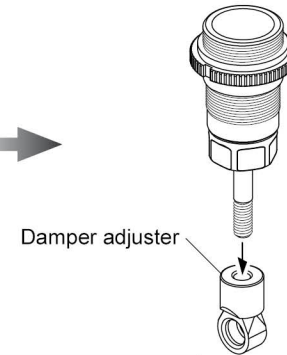
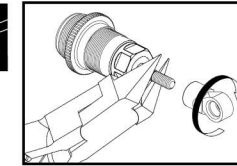
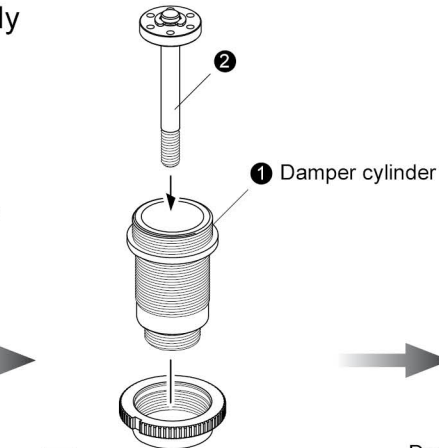
STEP 1 Damper assembly
避震器組裝



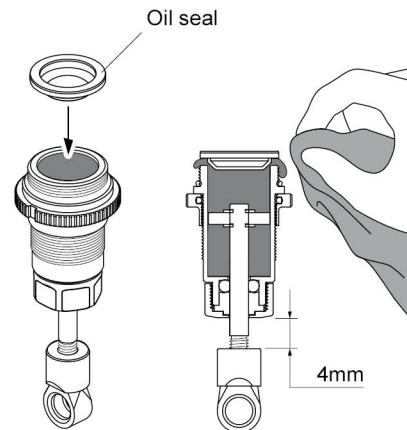
X4
Make 4



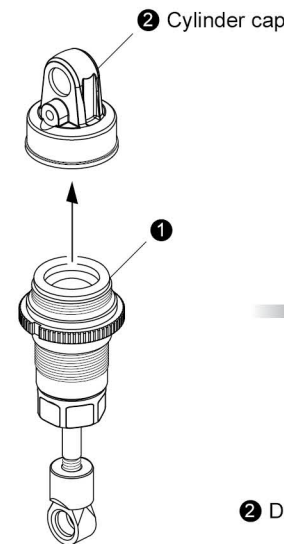
OIL



Pull down piston and pour oil into cylinder.
Remove air bubbles by slowly moving piston up and down.
拉下活塞並填入避震油，緩慢上下移動活塞將氣泡移除。



Pull down piston rod 4mm, attach cylinder cap and absorb oil overflow with tissue paper.
將軸心下拉4mm後，蓋上避震器上蓋並以面紙拭去溢出的砂油。



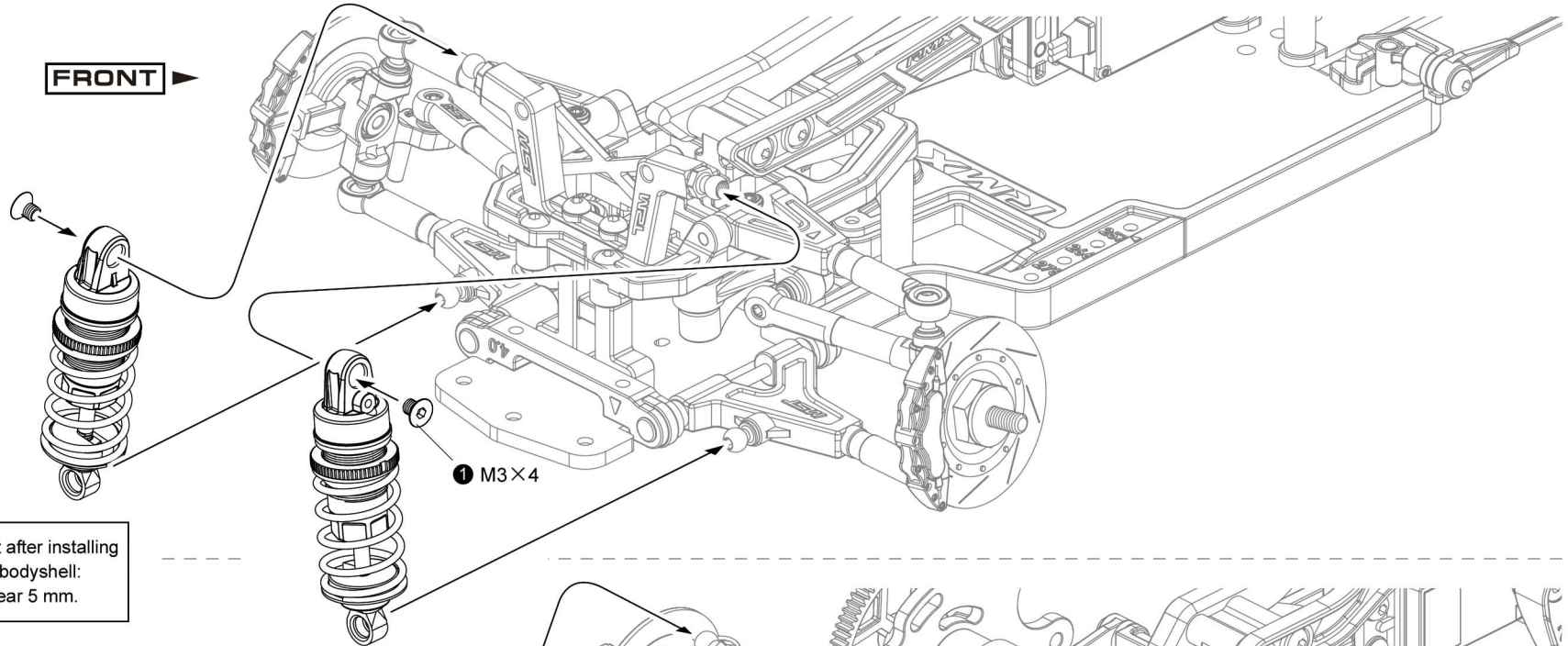
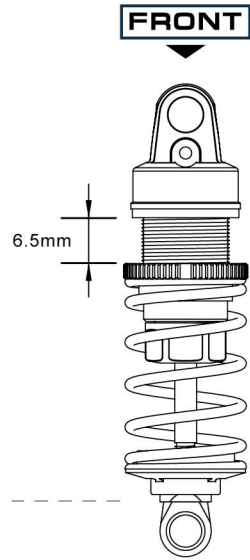
X4
Make 4



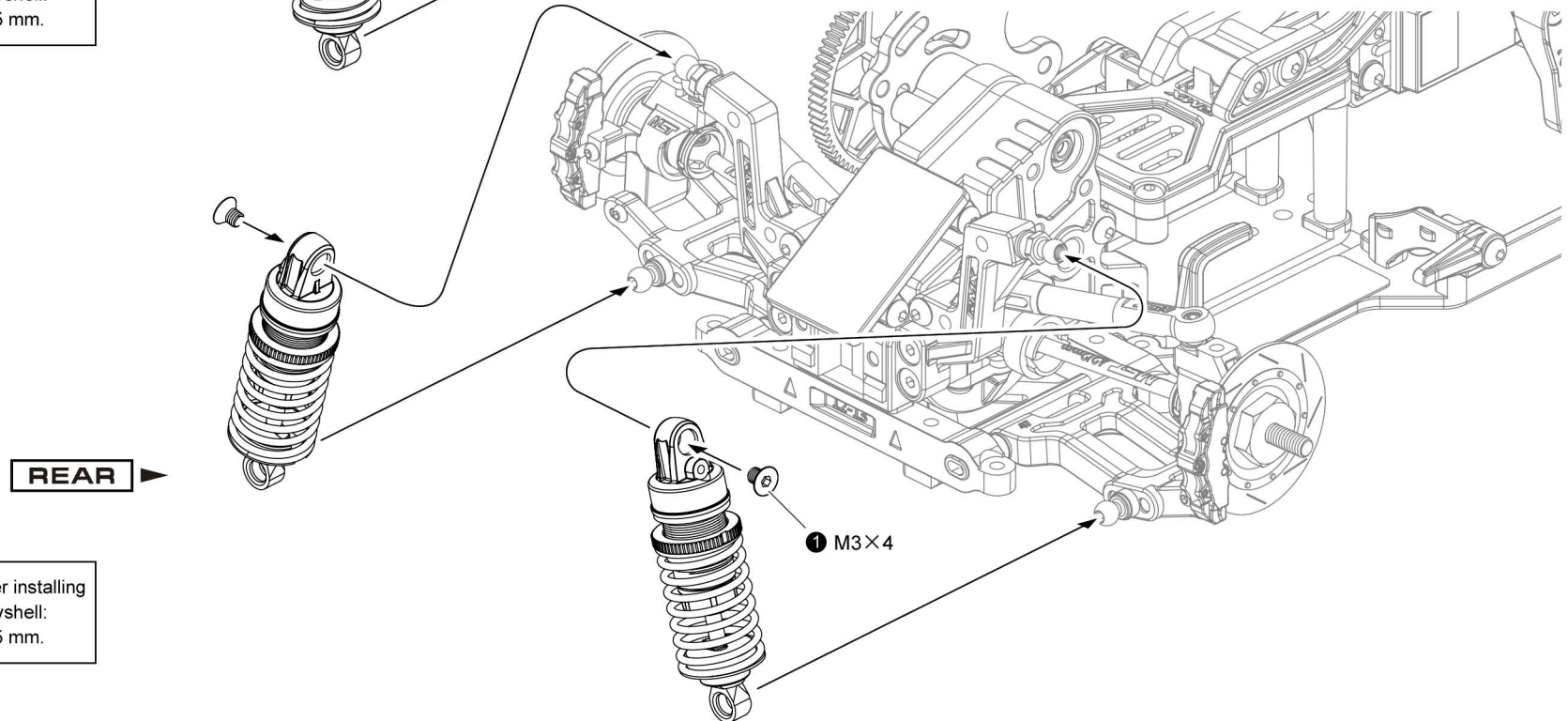
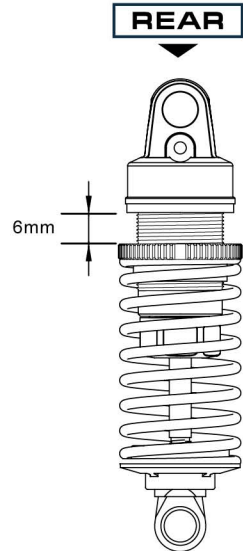
Front - Yellow
前面裝配黃色
Rear - Silver-yellow
後面裝配銀黃色

2 Damper retainer

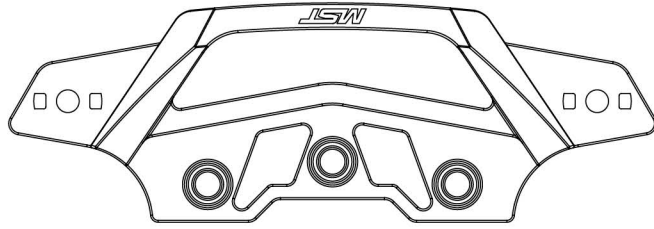
STEP 2 Attaching damper
安裝避震器



Final ride height after installing electronics and bodyshell:
Front 8 mm / Rear 5 mm.



Final ride height after installing electronics and bodyshell:
Front 8 mm / Rear 5 mm.



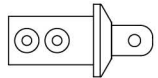
Bumper support ×1
防撞板上蓋



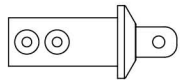
Rear body mount ×2
後車殼支柱



Front body mount ×2
前車殼支柱



Body mount cover M ×2
支柱套 M



Body mount cover L ×2
支柱套 L



M3×14 screw ×2
圓頭螺絲



M3×8 screw ×3
沉頭螺絲

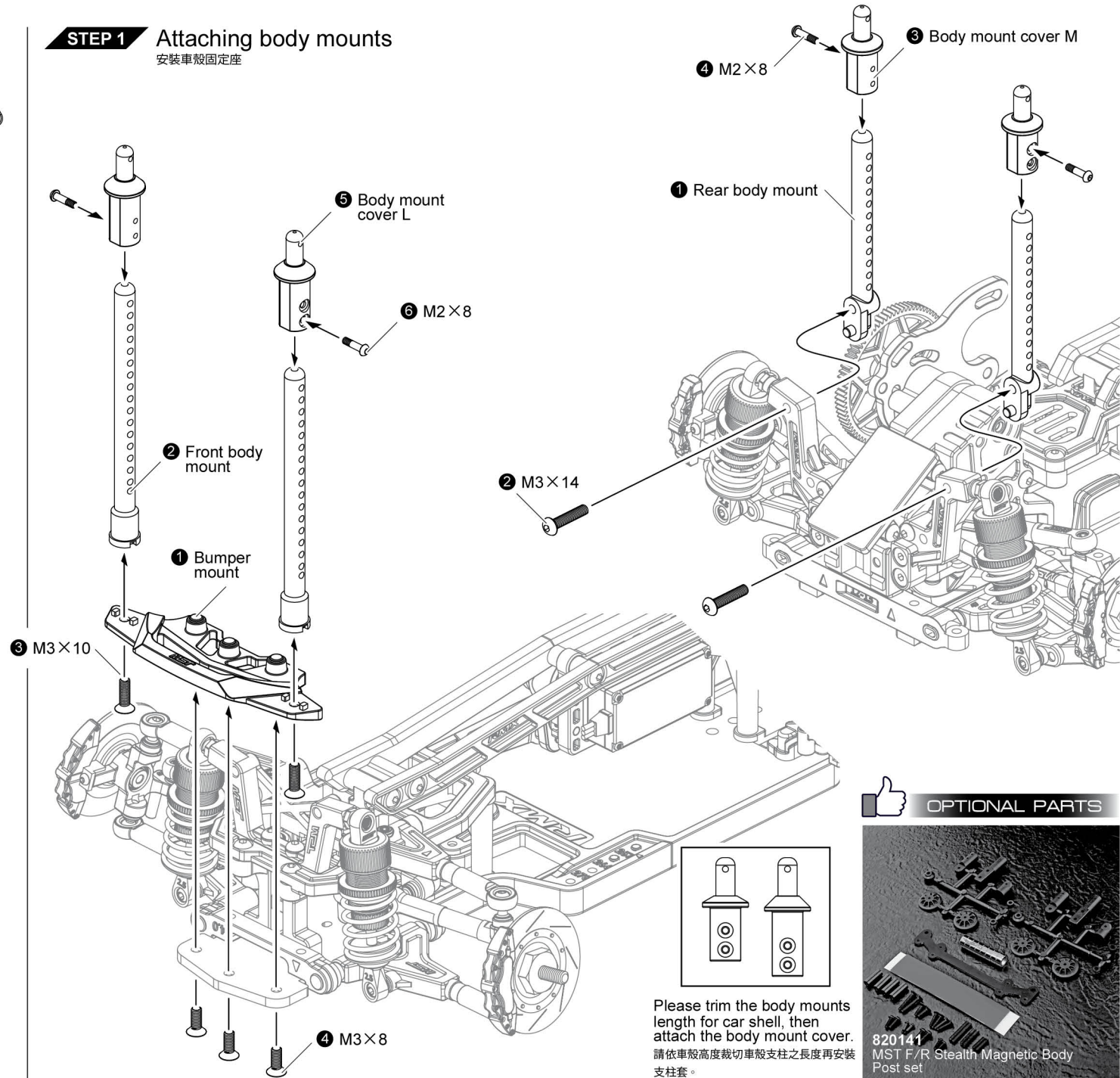


M3×10 screw ×2
沉頭螺絲

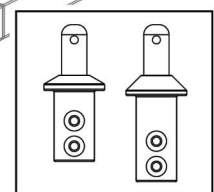


M2×8 screw ×4
圓頭螺絲

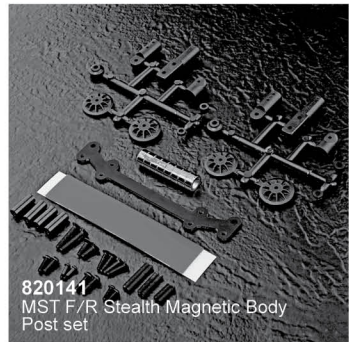
STEP 1 Attaching body mounts
安裝車殼固定座



OPTIONAL PARTS



Please trim the body mounts length for car shell, then attach the body mount cover.
請依車殼高度裁切車殼支柱之長度再安裝支柱套。





22T motor gear × 1
馬達齒



3×6×0.5 Spacer × 2
墊片

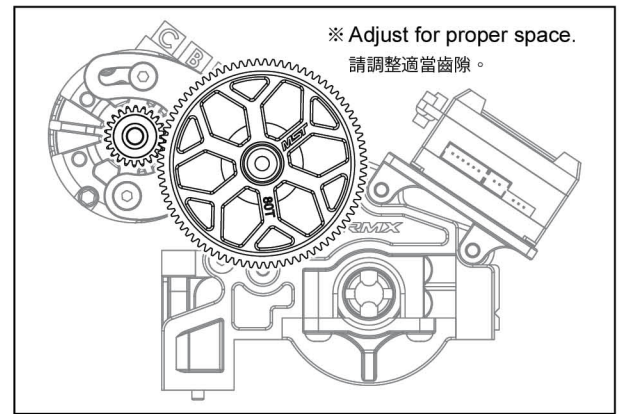
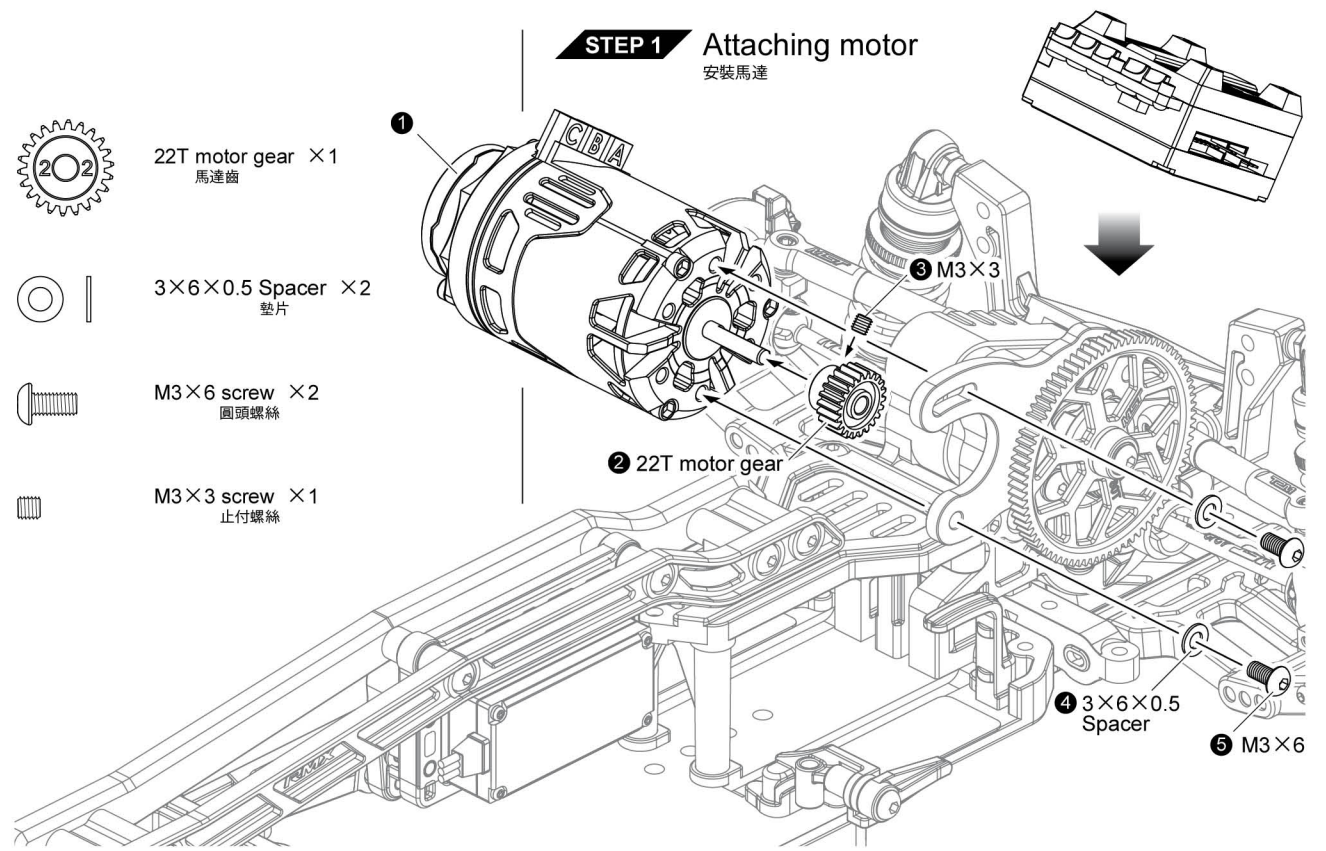


M3×6 screw × 2
圓頭螺絲



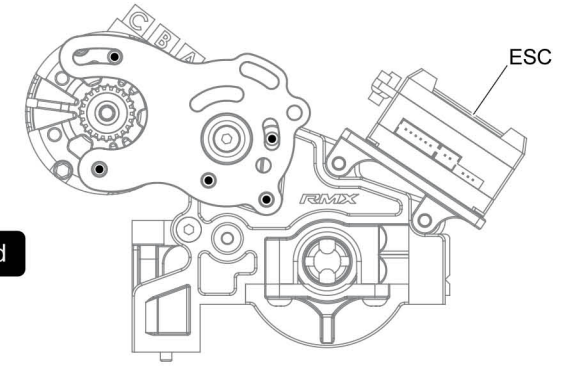
M3×3 screw × 1
止付螺絲

STEP 1 Attaching motor
安裝馬達

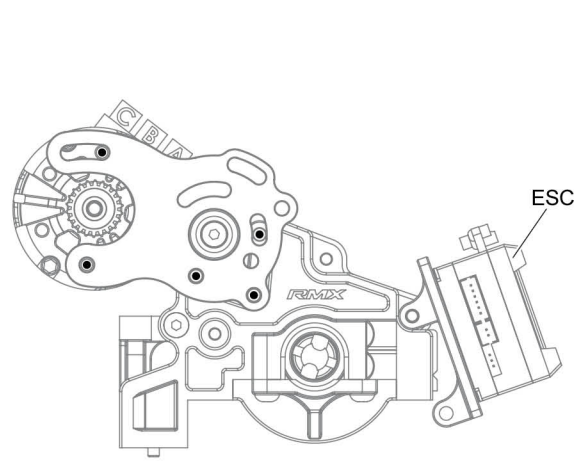


Mode 1

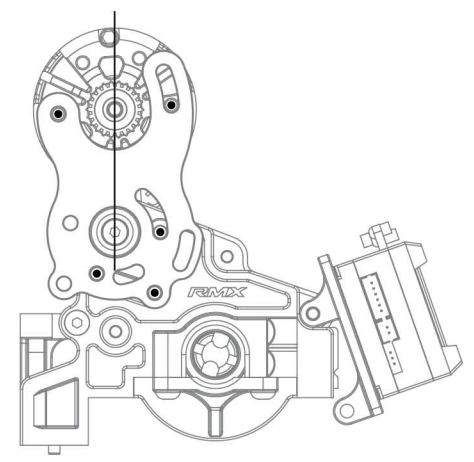
Standard



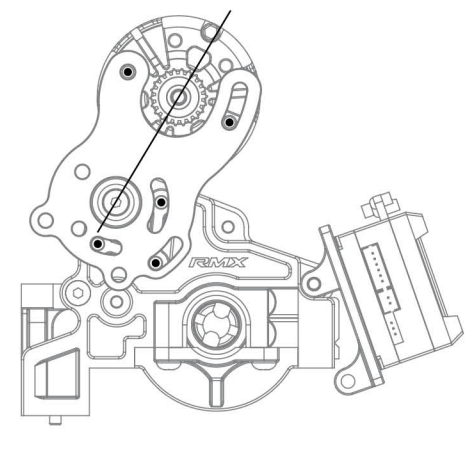
Mode 2



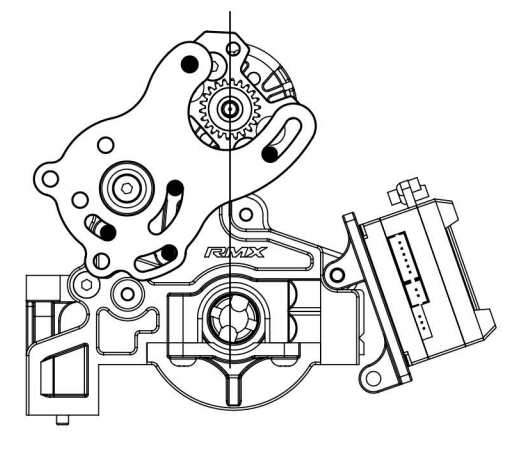
Mode 3



Mode 4



380 Mode





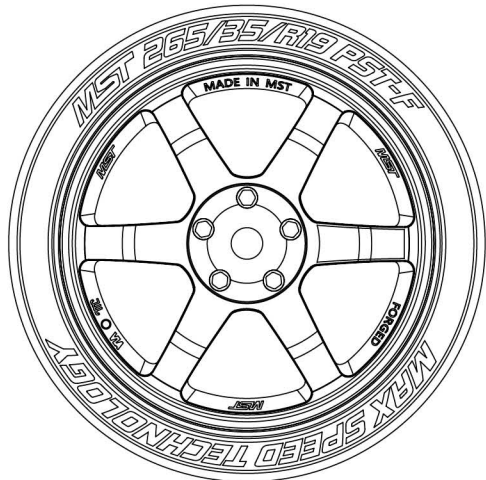
Flange nut M4 ×4
凸緣螺帽 M4

Bag 9



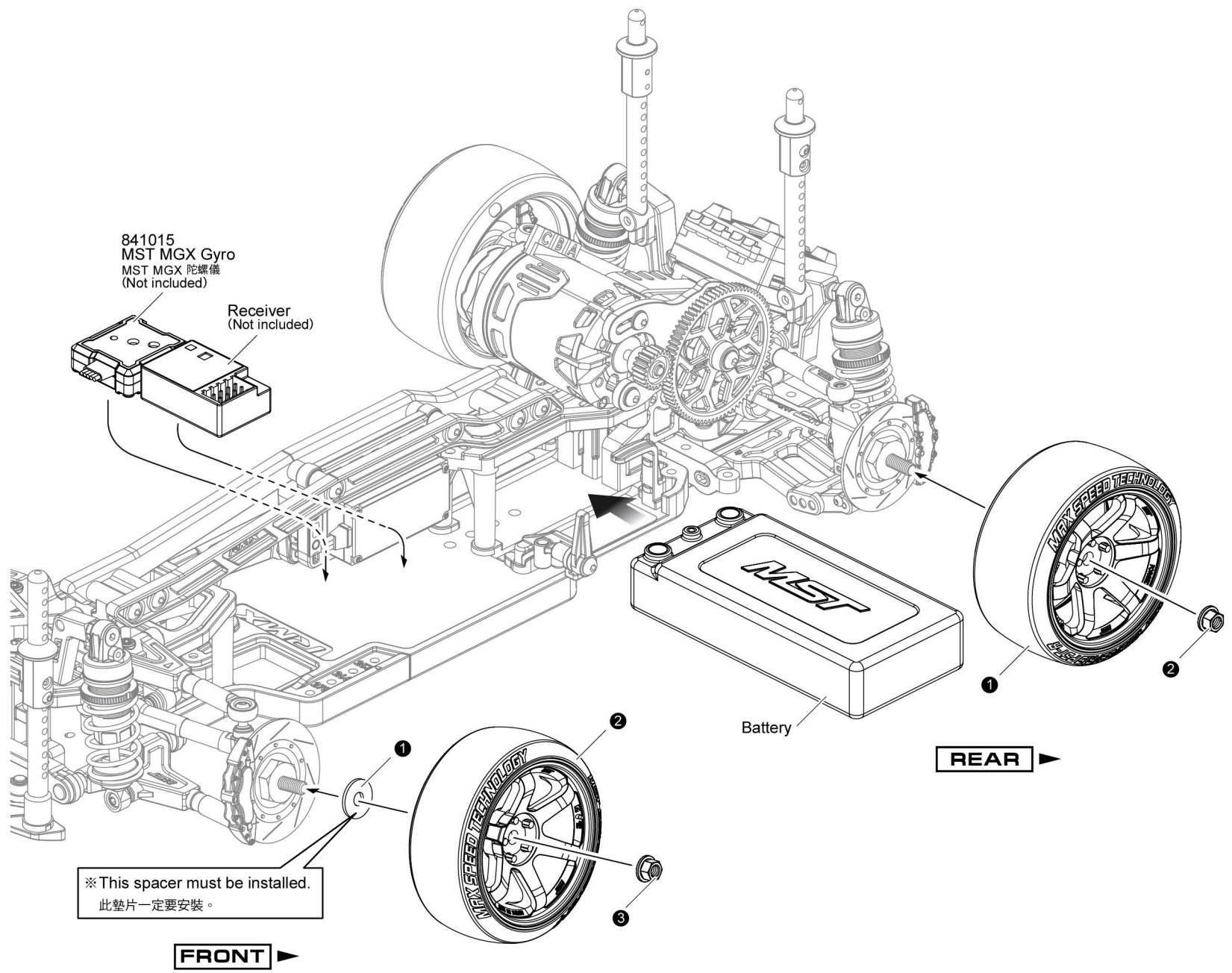
Wheel hub spacer 1.0 ×2
輪座墊片 1.0

Bag 9

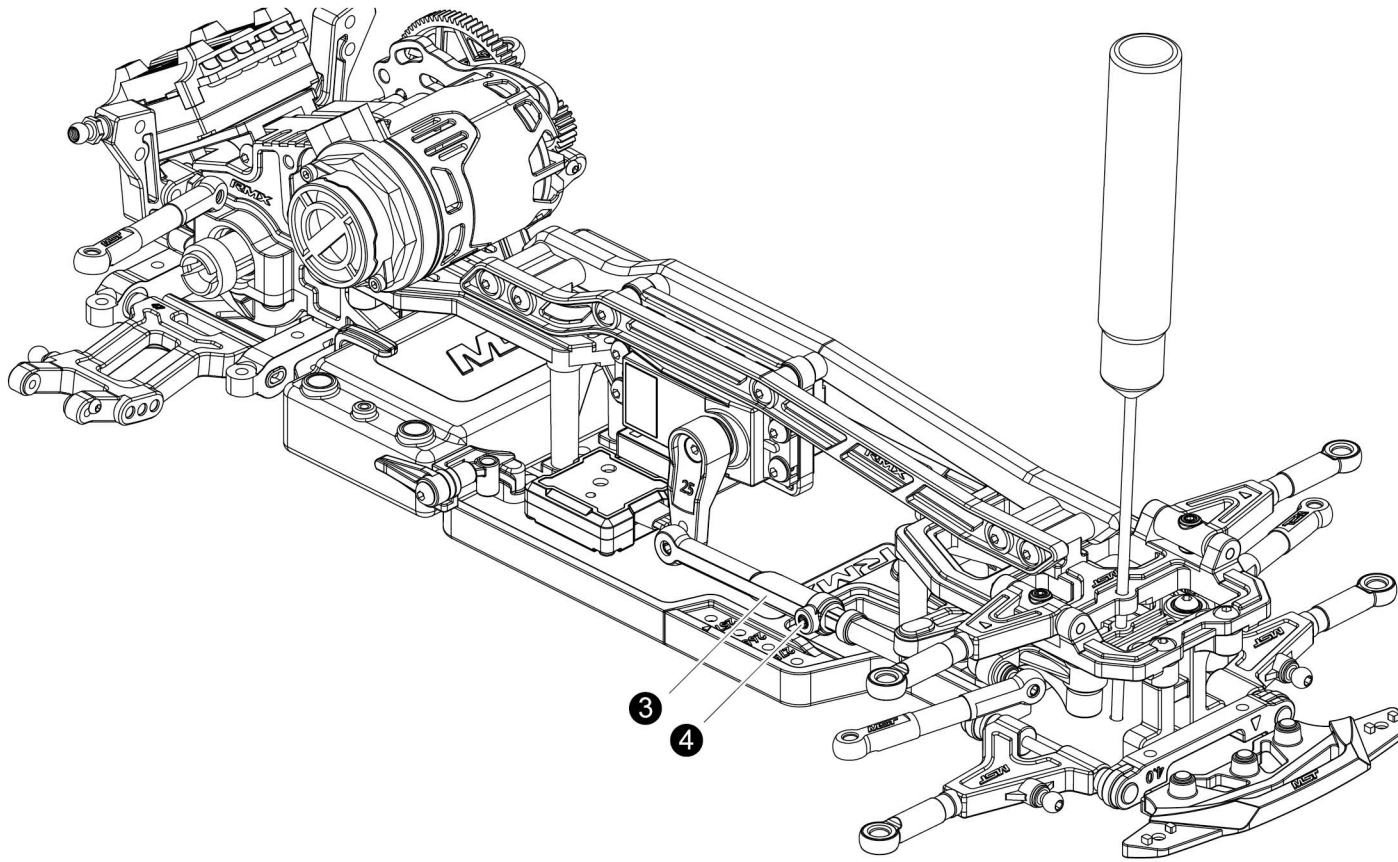


※ NOT including.
Please refer to MST website for the
wheel & tire types.
胎框組須另購，詳情請見官網。
[www.rc-mst.com]

STEP 1 **Attaching wheels / ESC / Gyro / Battery**
安裝輪胎 / ESC / 陀螺儀 / 電池



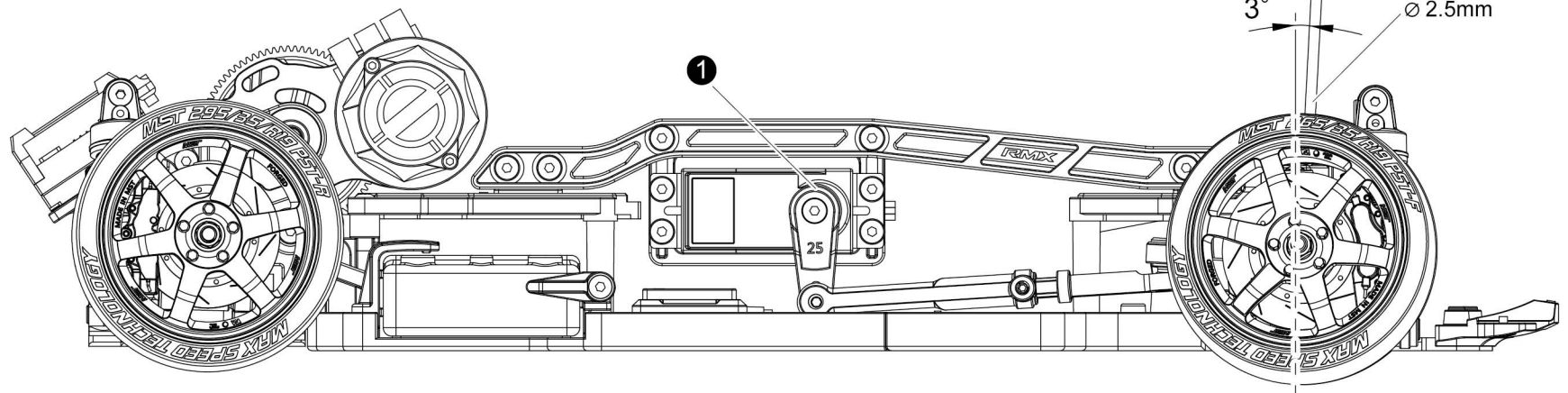
※ This spacer must be installed.
此墊片一定要安裝。



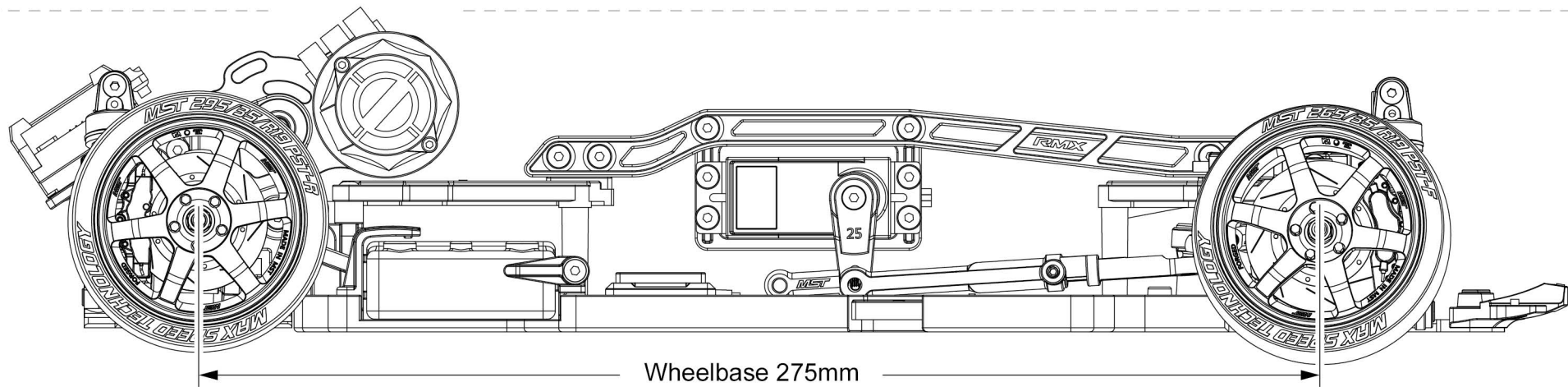
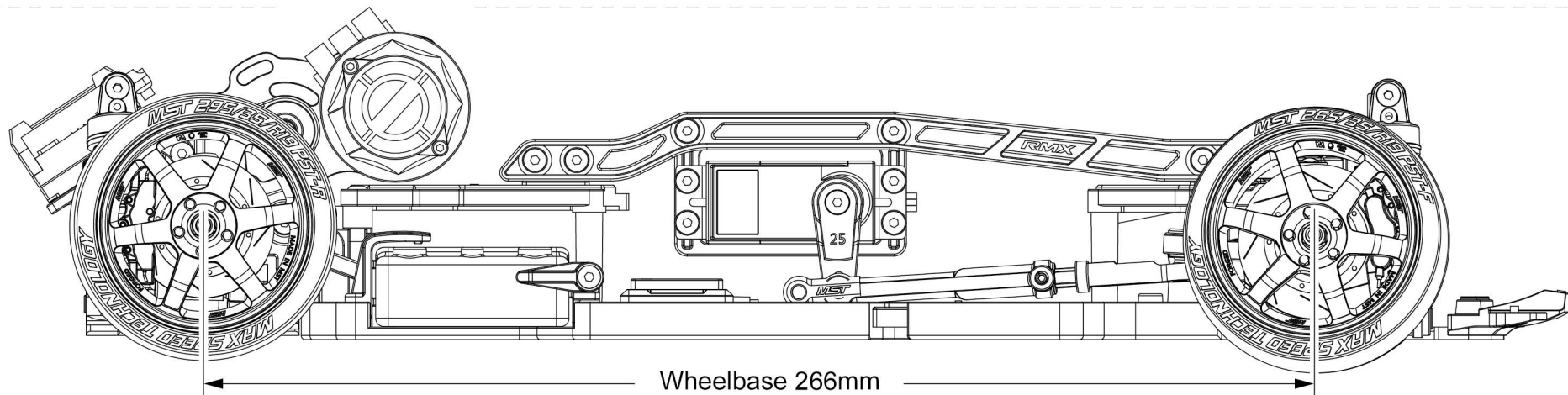
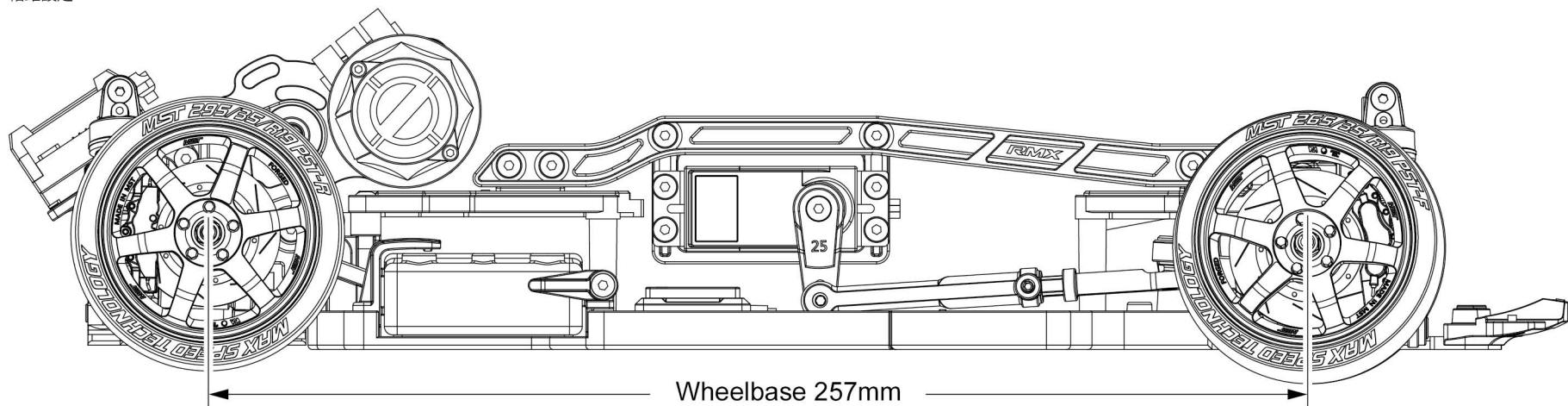
- ※ Do not tighten the M3×4 set screw during initial assembly. After completing full vehicle assembly, follow these steps:
- ❶ Power on the system and ensure the servo is at its neutral position.
 - ❷ Keep the front wheels in the straight position.
 - ❸ Adjust the turnbuckle to the correct length while everything is centered.
 - ❹ Once confirmed, tighten the M3×4 set screw.

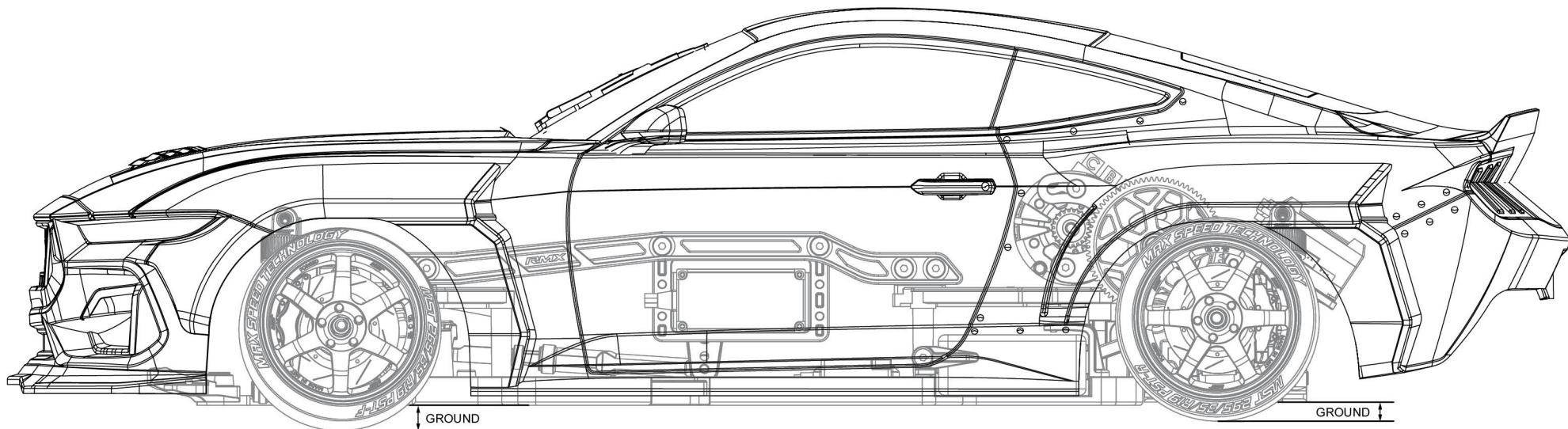
先不鎖緊M3×4止付螺絲，待全車組裝完成後再完成以下步驟：

- ❶ 通電後伺服機保持中立點
- ❷ 前輪轉向保持中立點
- ❸ 此時可調拉桿為正確長度
- ❹ 鎖緊M3×4止付螺絲



Standard





Ride height: 9 mm

Final ride height after installing electronics and bodyshell:
Front 9 mm / Rear 5 mm.

Ride height: 5 mm

Final ride height after installing electronics and bodyshell:
Front 9 mm / Rear 5 mm.

※ The original front ride height of 9mm is set for the factory Ackermann configuration.
Please double-check before heading to the track to ensure it matches the factory specification.
If it is too high or too low, adjust the height using the spring retainer.
前車高9mm為原廠設定阿克曼所需高度。
下場前請再次確認是否為原廠數值，如太高或太低，請在避震器調整環調整高低。

GEAR RATIO (For 80T Spur Gear)														
Pinion gear teeth	22T	23T	24T	25T	26T	27T	28T	29T	30T	31T	32T	33T	34T	35T
60T/20T <3.00>	10.91	10.43	10.00	9.60	9.23	8.89	8.57	8.28	8.00	7.74	7.50	7.27	7.06	6.86

※ Adjust for proper space.
請調整適當齒隙。

* FORMULA 計算公式

$$\left(\frac{\text{Spur gear teeth 80T 大直齒}}{\text{Pinion gear teeth 馬達齒}} \times \frac{\text{Differential gear 60T 差速齒}}{\text{Main shaft gear 20T 主軸齒}} \right) = \text{Gear ratio 終傳比}$$

Steering

1 mm

Steering arm connector

Caster

7°

Caster

5.5°

FRONT	REAR
Tire: <u>Silver PST-F</u>	Tire: <u>Silver PST-R</u>
Wheel: <u>TE37</u>	Wheel: <u>TE37</u>
Offset: <u>+5</u>	Offset: <u>+5</u>

Front upright

0 mm

0 mm

0 mm

L R

Front wheel hubs

1 mm

Front suspension

Camber: 9.1°

0 mm

Final ride height after installing electronics and bodyshell:
Front 9 mm / Rear 5 mm.

Ride height: 9 mm ↓ GROUND

Rear suspension

0 mm

Camber: 2°

Toe-in: 1

Final ride height after installing electronics and bodyshell:
Front 9 mm / Rear 5 mm.

GROUND ↓ Ride height: 5 mm

Rear upright

0 mm

Front Suspension mount Rollcenter

0 mm

0 mm

+4

F R

Rear diff

Gear diff.

Spool.

Diff oil #3000

Rear Suspension mount Rollcenter

1 mm

1 mm

+12

F R

Front damper

6.5 mm

Shock oil: #15

Spring: 24 mm ϕ 1.5

Spring color: Yellow

Piston: ϕ 1.2 mm

Piston hole: 3

Spur Gear + Pinion Gear \times Reduction Gear = Gear ratio

80 T + 22 T \times 3 = 10.9

Motor & ESC: _____ Battery: _____

Transceiver: _____ Gyro: _____ Sensitivity: _____

Rear damper

6 mm

Shock oil: #15

Spring: 26 mm ϕ 1.5

Spring color: Silver-Yellow

Piston: ϕ 1.2 mm

Piston hole: 3

Steering

mm

Steering arm connector

Caster

7°

▷

Caster

5.5°

◁

FRONT

Tire: _____

Wheel: _____

Offset: _____

REAR

Tire: _____

Wheel: _____

Offset: _____

Front upright

mm

mm

mm

L R

Front wheel hubs

mm

Front suspension

Camber: _____

mm

Ride height: mm ↓ GROUND

Rear suspension

mm

Camber: _____

Toe-in: _____

GROUND ↓ Ride height: _____ mm

Rear upright

mm

Front Suspension mount Rollcenter

mm

▷ ◁ ▷ ◁

F R

Rear diff

Gear diff. Spool.

Diff oil _____

Rear Suspension mount Rollcenter

mm

▷ ◁ ▷ ◁

F R

Front damper

Shock oil: _____

Spring: _____ mm

Spring color: _____

Piston: _____ mm

Piston hole: _____

$\text{Spur Gear} \div \text{Pinion Gear} \times \text{Reduction Gear} = \text{Gear ratio}$

_____ T ÷ _____ T × _____ = _____

Motor & ESC: _____ Battery: _____

Transceiver: _____ Gyro: _____ Sensitivity: _____

Rear damper

Shock oil: _____

Spring: _____ mm



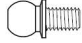







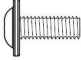






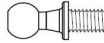


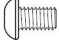




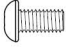




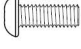
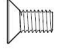

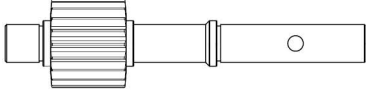


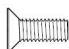



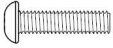
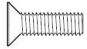
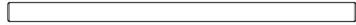

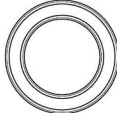
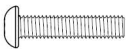


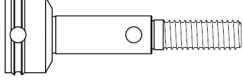


Spring color: _____

Piston: _____ mm

Piston hole: _____

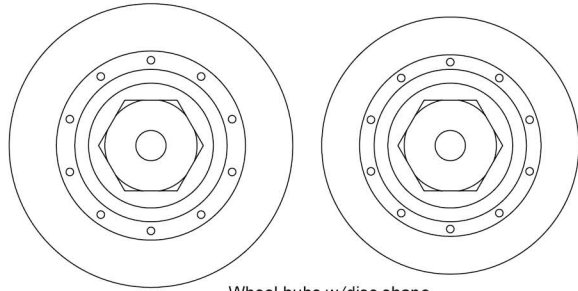
PARTS

Color 顏色	Remark 標示
Red 紅 / BACK 黑	R / BK

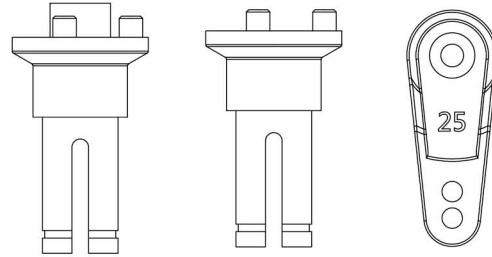
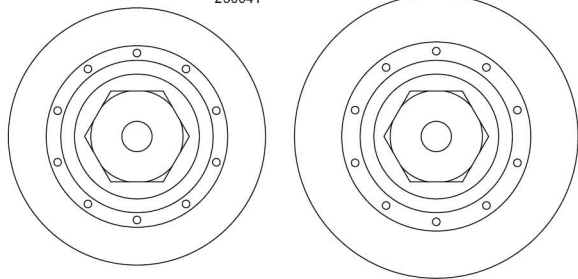
	M2×3 screw ×4 圓頭螺絲 110082		M3×2.6 screw ×2 止付螺絲 110060		4.8×4.5 Ball connector s ×1 球頭螺絲 210433		3×6×0.5 Spacer ×8 墊片 110047		4×6×0.3 Spacer ×4 墊片 820017
	M2×4 screw ×4 圓頭螺絲 110004		M3×3 screw ×3 止付螺絲 110035		4.8×4.5 Ball connector ×9 球頭螺絲 310001		Wheel nut m4 ×4 輪框螺帽 820074		5×7×0.1 Spacer ×2 墊片 820018
	M3×8 screw ×4 半圓頭螺絲(墊片) 110120		M3×4 screw ×1 止付螺絲 110083		4.8×6 Ball connector ×4 內六角球頭 310050		MST 48P Pinion 22T ×1 馬達齒 48P-22T 148022P		5×7×0.3 Spacer ×2 墊片 820020
	M2×8 screw ×4 圓頭螺絲(半牙) 110045		M3×10 screw ×2 止付螺絲 110032		4.8×6 Ball connector L ×4 球頭螺絲(長) 310129		Cross joint ×2 連接軸 820030		3×7×3 Bearing ×4 軸承 120027
	M3×5 screw ×2 圓頭螺絲 110049		M3×12 screw ×2 止付螺絲 110056		2×9.8 Shaft ×5 插銷 110017		R-clip 5.0 ×6 R-銷 5.0 820075		4×8×3 Ball bearing ×2 培林 120013
	M3×6 screw ×3 圓頭螺絲 110001		M3×25 screw ×4 止付螺絲 110008		2×9.8 Shaft ×2 插銷 110046		4×21 Shaft ×2 插銷 310119		5×8 Bearing ×8 軸承 120017
	M3×8 screw ×22 圓頭螺絲 110002		M3×6 screw ×4 沉頭螺絲 110024		2×22 Shaft ×2 插銷 310047		Alum. main shaft 48P 20T ×1 鋁合金主齒軸 48P 20T 310132		4×10 Ball bearing ×2 培林 120018
	M3×10 screw ×4 圓頭螺絲 110026		M3×8 screw ×38 沉頭螺絲 110005		2.6×25 Shaft ×2 插銷 310035		2WD Axle ×2 二驅輪軸 820095		5×10 Ball bearing ×6 培林 120002
	M3×12 screw ×3 圓頭螺絲 110029		M3×16 Screw ×4 沉頭螺絲 110073		2.5×46 Arm shaft ×4 擺臂插銷 310048		Steel CVD great angle universal shaft 42 (40°) ×2 鋼製CVD傳動軸 42 (40°) 820004		10×15 Ball bearing ×2 培林 120001
	M3×14 screw ×5 圓頭螺絲 110061		M3×12 Screw ×4 沉頭螺絲 110043		4.8 Ball connector ×4 外六角球頭 210161		Wheel axle ×2 萬向接杆 310065		
	M3×16 screw ×2 圓頭螺絲 110086		M3×18 screw ×3 圓頭螺絲 110087						

PARTS

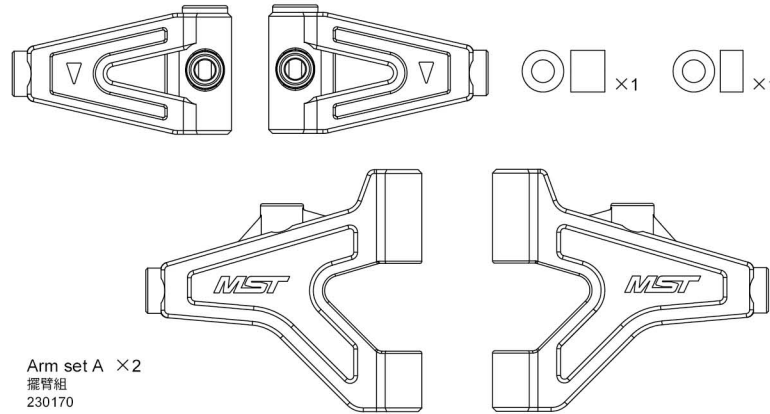
Color 顏色	Remark 標示
Red 紅 / BACK 黑	R / BK



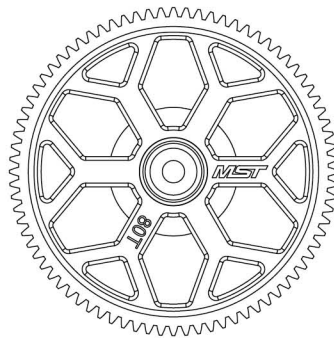
Wheel hubs w/disc shape (large) with sticker
碟型六角輪座組 (加大型) 附貼紙
230041



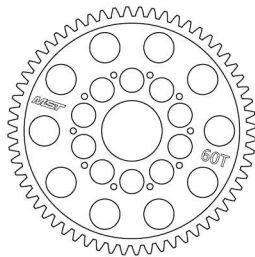
RMX 4 Spool unit & servo mount × 1
RMX 4 直軸組 & 伺服機座
230185



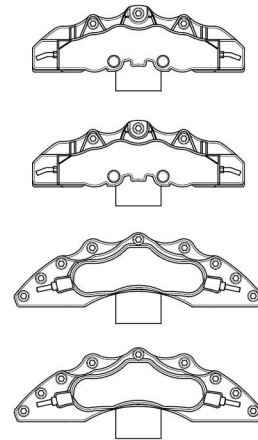
Arm set A × 2
擺臂組
230170



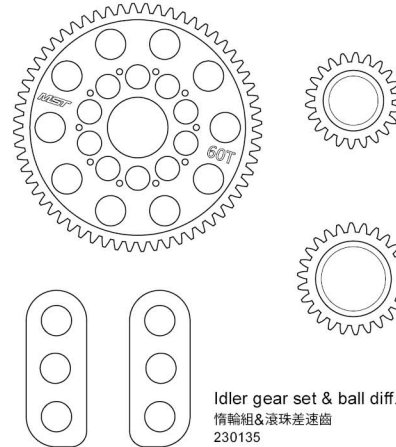
RMX 4 80T Spur gear set × 1
RMX 4 80T 大齒盤總成
230186



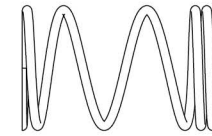
Idler gear set & ball diff. gear × 1
惰輪組&滾珠差速齒
230135



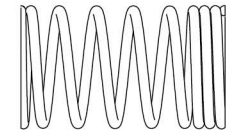
Enlarged brake calipers (red)
加大剎車卡鉗 (紅)
210510CR



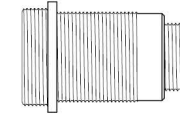
Idler gear set & ball diff. gear
惰輪組&滾珠差速齒
230135



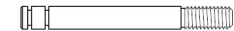
DK-RWD Competition Drift Spring (24mm) × 2 (yellow)
DK-RWD 競賽飄移車避震彈簧(24mm) (黃)
820164



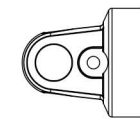
DK-RWD Competition Drift Spring (26mm) × 2 (silver-yellow)
DK-RWD 競賽飄移車避震彈簧(26mm) (銀黃)
820164



Damper cylinder × 4
避震筒身
210071



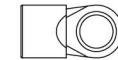
Piston rod × 4
避震軸心
310008



Cylinder cap × 4
避震器上蓋
210057



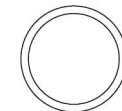
Piston × 4
避震活塞
210235



Damper adjuster × 4
避震器拉桿
820079



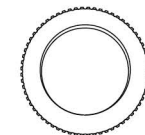
Rod guide cap × 4
避震器下蓋
210057



12×1 O-ring × 4
O環
130049



Damper retainer × 4
避震器彈簧座
820079



Spring retainer (red) × 4
避震器調整環 (紅)
310106R



Oil seal × 4
避震器氣室
130004



E-clip × 10
E形扣
110013



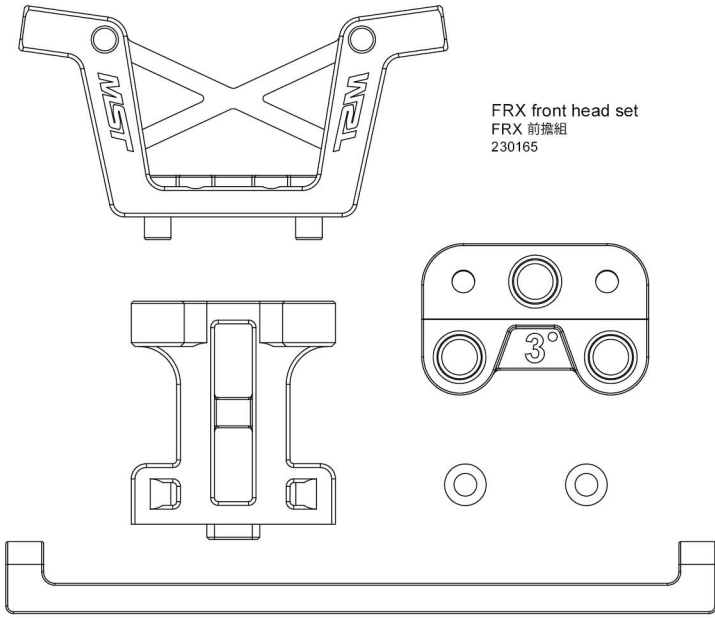
Rod guide × 4
避震器下蓋墊片
210235



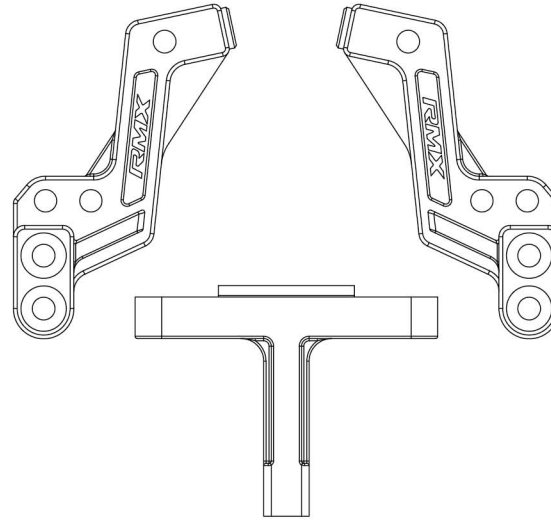
Damper O-ring P3 × 4
避震器O環
130059

PARTS

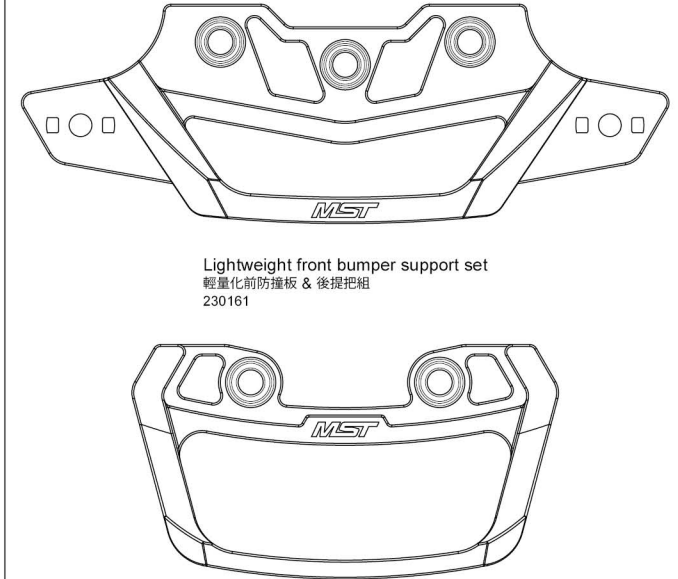
Color 顏色	Remark 標示
Red 紅 / BACK 黑	R / BK



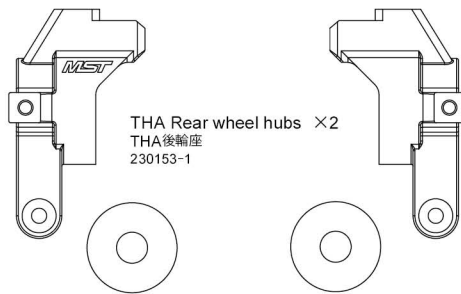
FRX front head set
FRX 前擋組
230165



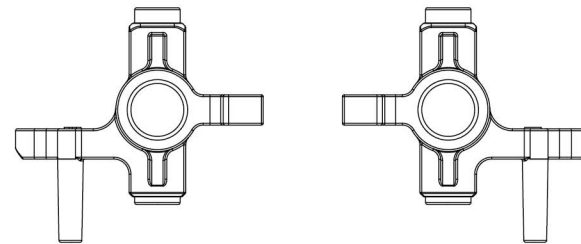
RMX 4 Rear damper set & gearbox connector ×1
RMX 4.0 後避震架組 & 齒箱連接架
230179



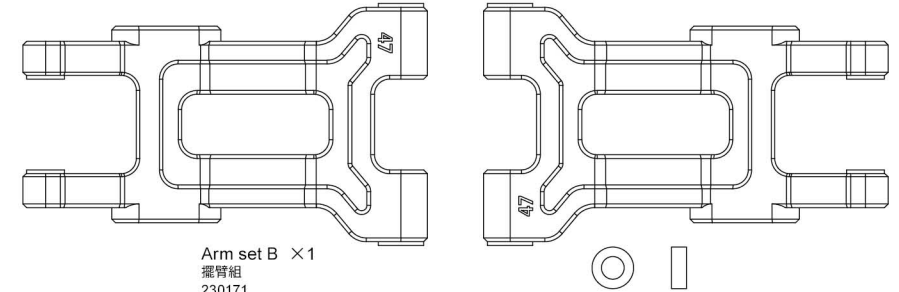
Lightweight front bumper support set
轻量化前防撞板 & 後提把組
230161



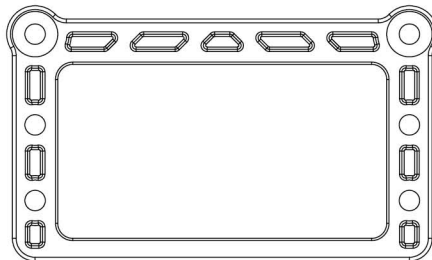
THA Rear wheel hubs ×2
THA後輪座
230153-1



ATK V3 Front wheel hubs ×1
ATK V3 前輪座組
230181



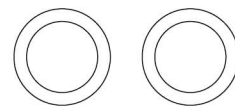
Arm set B ×1
擺臂組
230171



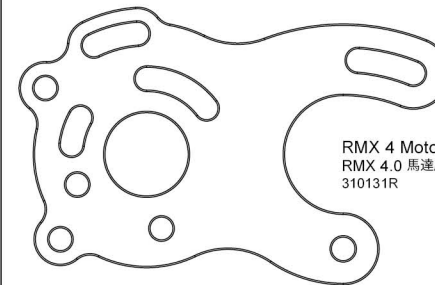
Servo mount ×1
伺服機座
230185



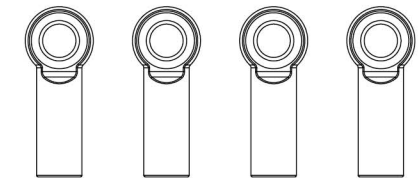
FXX Alum. steering post ×2
FXX 鋁合金轉向支柱
210345



Joint ring (2) ×1
接杯環 (2)
230190



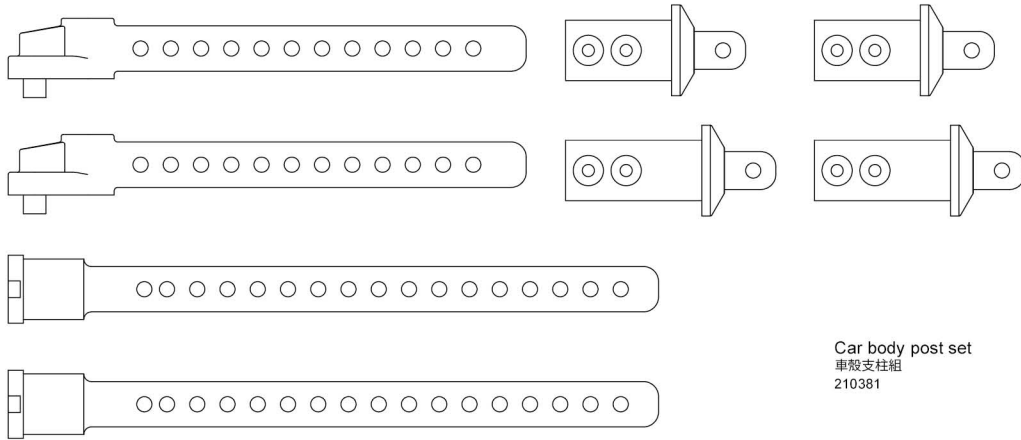
RMX 4 Motor mount (Red) ×1
RMX 4.0 馬達座 (紅)
310131R



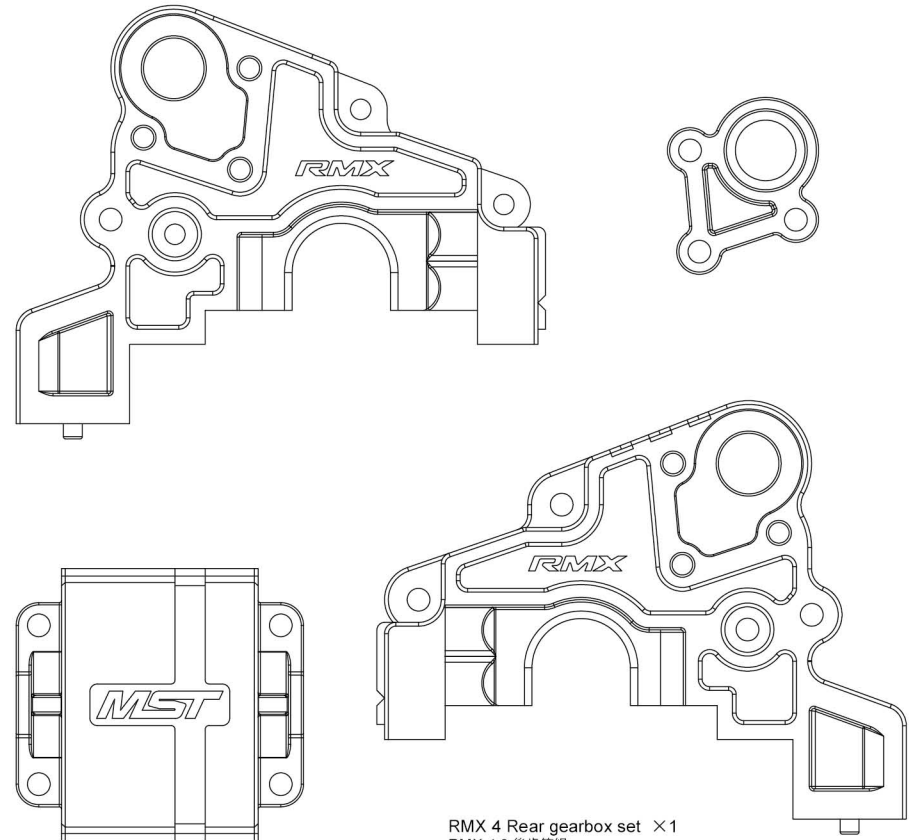
4.8x22 Rod ends set ×1
4.8x22 拉桿頭組
230188

PARTS

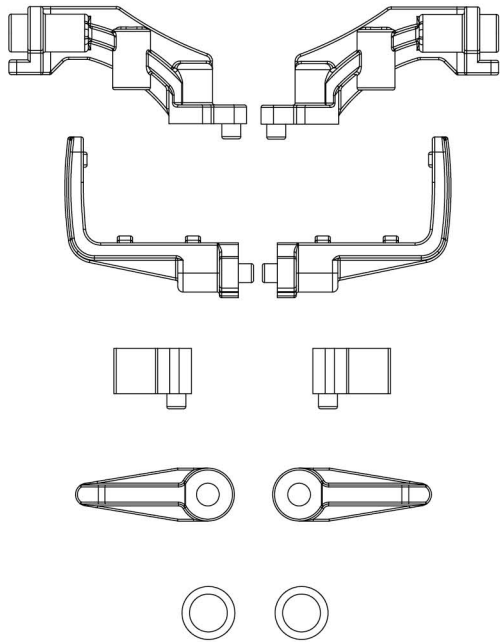
Color 顏色	Remark 標示
Red 紅 / BACK 黑	R / BK



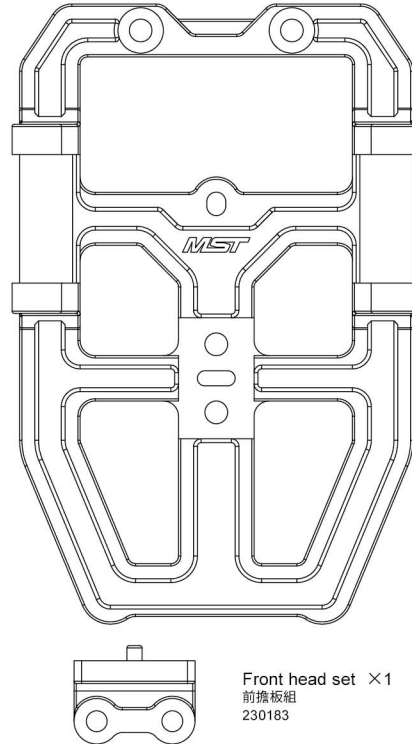
Car body post set
車殼支柱組
210381



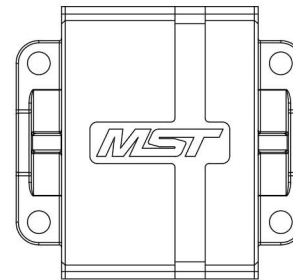
RMX 4 Rear gearbox set ×1
RMX 4.0 後齒箱組
230178



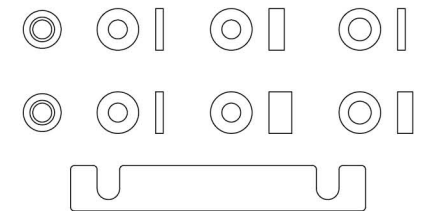
Quick-release battery mount
快拆式電池座組
230145



Front head set ×1
前擋板組
230183



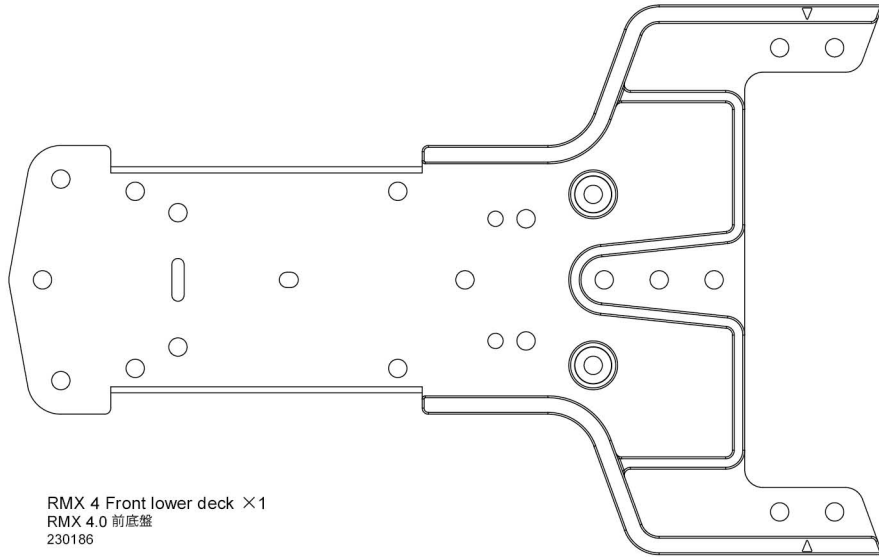
PVC Deck protective film ×2
PVC 底盤防刮貼
820152



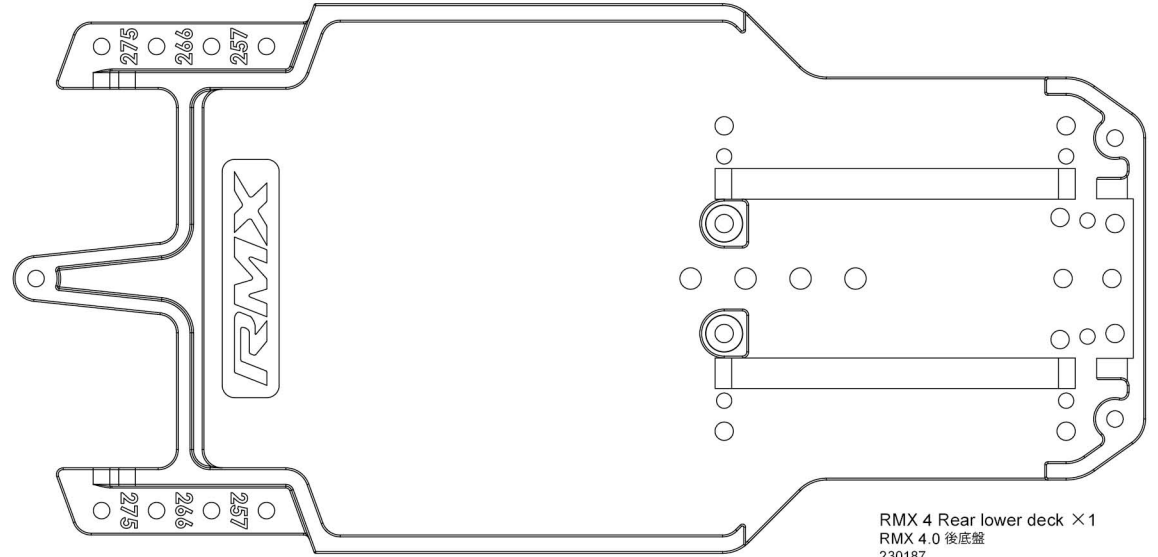
Suspension ball & spacer set ×4
插銷球頭 & 墊片組
230159

PARTS

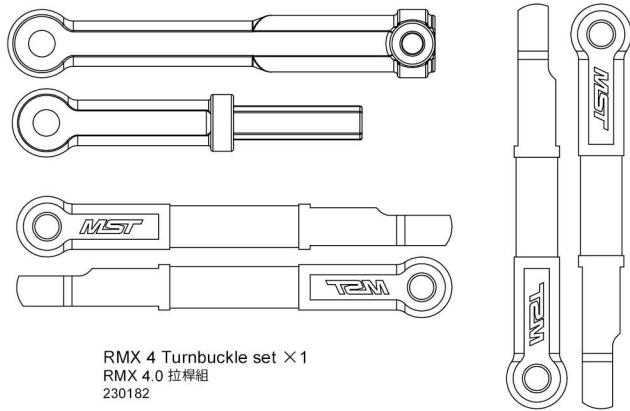
Color 顏色	Remark 標示
Red 紅 / BACK 黑	R / BK



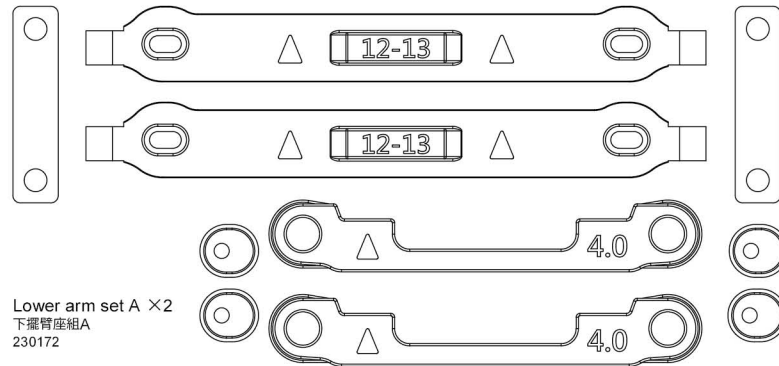
RMX 4 Front lower deck × 1
RMX 4.0 前底盤
230186



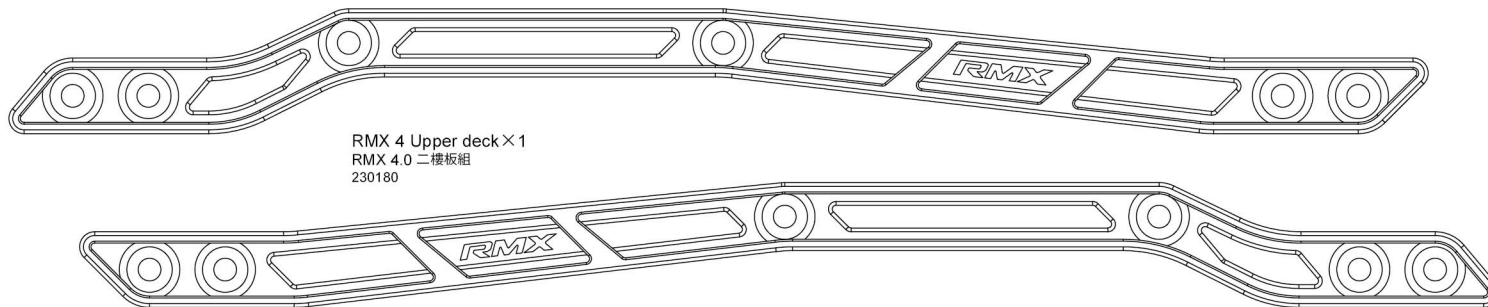
RMX 4 Rear lower deck × 1
RMX 4.0 後底盤
230187



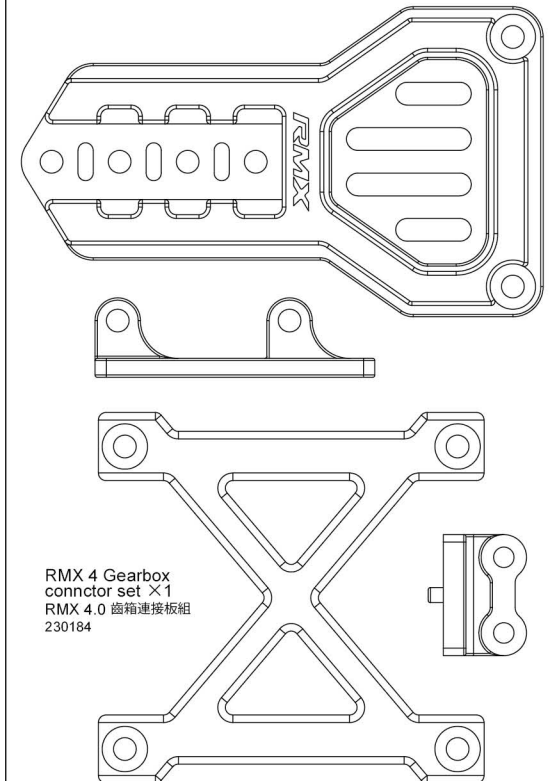
RMX 4 Turnbuckle set × 1
RMX 4.0 拉桿組
230182



Lower arm set A × 2
下擺臂座組A
230172



RMX 4 Upper deck × 1
RMX 4.0 二樓板組
230180



RMX 4 Gearbox
connctor set × 1
RMX 4.0 齒箱連接板組
230184

PARTS CODE

110001	Round head screw M3×6 (10)	110086	Round head screw M3×16 (6)	230135	Idler gear set & ball diff. gear	310005R	Rod guide cap (red) (2)
110002	Round head screw M3×8 (10)	110087	Round head screw M3×18 (6)	230145	Quick-release battery mount	310008	Piston rod (4)
110004	Round head screw M2×4 (6)	110120	Round head screw w/washer M3×8 (6)	230153-1	THA Rear wheel hubs	310035	Lower arm shaft 2.6×22&25 (each one pair)
110005	Countersunk screw M3×8 (10)	120001	Ball bearing 10×15 (4)	230159	Suspension ball & spacer set	310047	Arm shaft 2.0×22 (2)
110008	Set screw M3×25 (6)	120002	Ball bearing 5×10 (4)	230161	Front bumper support	310048	Arm shaft 2.5×46 (4)
110013	E-clip 2.0 (10)	120013	Ball bearing 4×8×3 (2)	230165	FRX front head set	310050	Ball connector 4.8×6 (5)
110017	Shaft 2×9.8 (10)	120017	Bearing 5×8 (4)	230170	Arm set A	310065	Wheel axle (2)
110024	Countersunk screw M3×6 (10)	120018	Ball bearing 4×10×4 (2)	230171	Arm set B	310106R	Spring retainer (red) (2)
110026	Round head screw M3×10 (10)	120027	Bearing 3×7×3 (4)	230172	Lower arm set A	310119	4×21 Steel center shaft (2)
110029	Round head screw M3×12 (6)	130004	Oil seal (4)	230174	Steering arm set	310129	Ball connector 4.8×6 L (4)
110032	Set screw M3×10 (6)	130006	Double sided tape(5)	230178	RMX 4 Rear gearbox set	310131R	RMX 4 Motor mount (red)
110035	Set screw M3×3 (6)	130007	Antenna pipe(2)	230179	RMX 4 Rear damper set & gearbox connector	310132	RMX 4 Alum. main shaft 48P 20T
110043	Countersunk screw M3×12 (10)	130021	Sponge 6.5×2 (10)	230180	RMX 4 Upper deck	820004	Steel CVD great angle universal shaft 42 (2)
110045	Round head screw M2×8 (partial thread) (6)	130049	O-ring 12×1 (4)	230181	ATK V3 Front wheel hubs	820017	Spacer 4×6×0.3 (8)
110046	Shaft 2×9.8 (8)	130059	Damper O-ring P3 (blue) (10)	230182	RMX 4 Turnbuckle set	820018	Spacer 5×7×0.1 (8)
110047	Spacer 3×6×0.5 (8)	148022P	MST 48P Pinion 22T	230183	Front head set	820020	Spacer 5×7×0.3 (8)
110049	Round head screw M3×5 (10)	210151	Alum. damper cylinder (4)	230184	RMX 4 Gearbox connctor set	820030	Cross joint (2)
110052	Countersunk screw M3×10 (10)	210161	Ball connector nut 4.8 (4)	230185	Servo mount	820055	Reinforced damper plastic maintenance set (4)
110056	Set screw M3×12 (6)	210235	Piston spacer set	230186	RMX 4 Front lower deck	820074	Wheel nut m4 (4)
110060	Set screw M3×2.6 (10)	210344	Ball connector nut L 4.8 (4)	230187	RMX 4 Rear lower deck	820075	R-clip 5.0 (10)
110061	Round head screw M3×14 (6)	210345	FXX Alum. steering post	230188	4.8×22 Rod ends set	820095	AKM 2WD axle (2)
110073	Countersunk screw M3×16 (6)	210381	Car body post set	230189	RM 4 80T Spur gear set	820152	PVC Deck protective film
110081	Countersunk screw M3×14 (6)	210433	Ball connector 4.8×4.5 S (5)	230190	Joint ring (2)	820164	DK-RWD Competition drift spring set (F24/R26)(6&6)
110082	Round head screw M2×3 (6)	210510CR	Enlarged brake calipers (red) (4)	310001	Ball connector 4.8×4.5 (5)		
110083	Set screw M3×4 (6)	230041	Wheel hubs w/disc shape (large)	310003R	Cylinder cap (red) (2)		

部品編號

110001	六角圓頭螺絲 M3×6	110086	六角圓頭螺絲 M3×16	230135	惰輪組&滾珠差速齒(30%)	310005R	避震器下蓋(紅)
110002	六角圓頭螺絲 M3×8	110087	六角圓頭螺絲 M3×18	230145	快拆式電池座組	310008	避震軸心 3×28 (化學鏤)
110004	六角圓頭螺絲 M2×4	110120	六角半圓頭帶墊片螺絲 M3×8	230153-1	THA後輪座	310035	插銷-2.6×25
110005	六角沉頭 M3×8	120001	培林 10×15×4	230159	插銷球頭 & 墊片組	310047	插銷 2×22
110008	六角止付螺絲 M3×25	120002	培林 5×10×4	230161	前防撞板	310048	插銷 2.5×46
110013	E扣 2.0	120013	培林 4×8×3	230165	FR 前擋組	310050	內六角公球頭 4.8×6
110017	插銷 2×9.8	120017	軸承 5×8 (4)	230170	擺臂組	310065	萬向接杯
110024	六角沉頭 M3×6	120018	培林 4×10×4	230171	擺臂組	310106R	避震器調整環 (紅)
110026	六角圓頭螺絲 M3×10	120027	軸承 3×7×3 (4)	230172	下擺臂座組A	310119	4×21 鋼製心軸
110029	六角圓頭螺絲 M3×12	130004	避震氣室	230174	轉向搖臂組	310129	內六角公球頭 4.8×6 L
110032	六角止付螺絲 M3×10	130006	EVA 雙面膠	230178	RMX 4.0 後齒箱組	310131R	RMX 4.0 馬達座 (紅)
110035	六角止付螺絲 M3×3	130007	天線管	230179	RMX 4.0 後避震架組 & 齒箱連接架	310132	RMX 4.0 鋁合金主齒軸 48P 20T (硬陽)
110043	六角沉頭 M3×12	130021	6.5×2.1泡棉	230180	RMX 4.0 二樓板組	820004	鋼製CVD傳動軸 42 (40°)(壓PIN)(鏤刻)
110045	六角圓頭螺絲 M2×8 (半牙)	130049	O-Ring 12×1	230181	ATK V3 前輪座組	820017	4×6×0.3 調整墊片
110046	插銷 2×9.8(剖槽)	130059	O環 P3 2.8×1.9 30度(白色)	230182	RMX 4.0 拉桿組	820018	5×7×0.1 調整墊片
110047	3×6×0.5 墊片	148022P	馬達齒 48P-22T	230183	前擋板組	820020	5×7×0.3 調整墊片
110049	六角圓頭螺絲 M3×5	210151	避震器筒身(硬膜)	230184	RMX 4.0 齒箱連接板組	820030	CVD連接軸
110052	六角沉頭 M3×10	210161	4.8 外六角球頭	230185	伺服機座	820055	避震膠件組
110056	六角止付螺絲 M3×12	210235	活賽墊片組	230186	RMX 4.0 前底盤	820074	凸緣螺帽 M4×5.5
110060	六角止付螺絲 M3×2.6	210344	4.8 外六角球頭 L	230187	RMX 4.0 後底盤	820075	R扣 5.0(黑)
110061	六角圓頭螺絲 M3×14	210345	轉向柱 5×16 (黑)	230188	4.8X22 拉桿頭組	820095	AKM 二驅輪軸
110073	六角沉頭 M3×16	210381	車殼支柱組	230189	RMX 4.0 80T 大齒盤總成	820152	電池防刮貼紙
110081	六角沉頭 M3×14	210433	內六角公球頭 4.8×4.5 S	230190	接杯環 (2)	820164	競賽飄移車避震彈簧 24 (銀-黃)(黃)
110082	六角圓頭螺絲 M2×3	210510CR	大卡鉗組	310001	內六角公球頭 4.8×4.5		
110083	六角止付螺絲 M3×4	230041	碟盤組	310003R	避震器上蓋(紅)		

026319